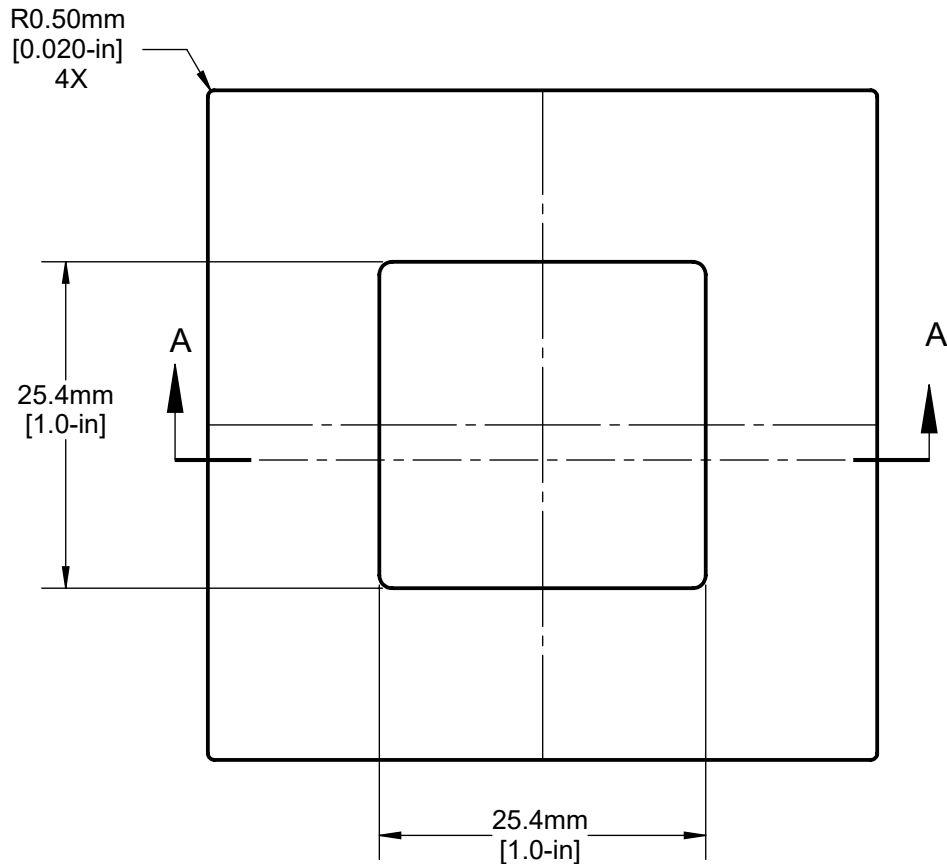
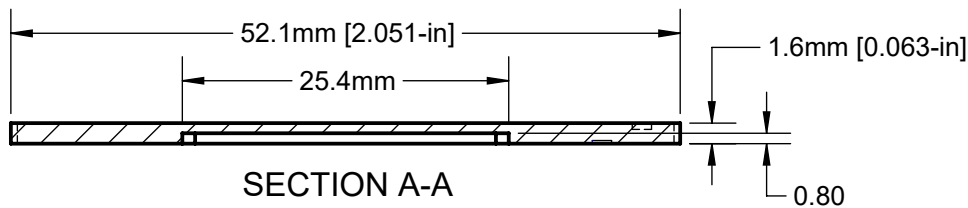
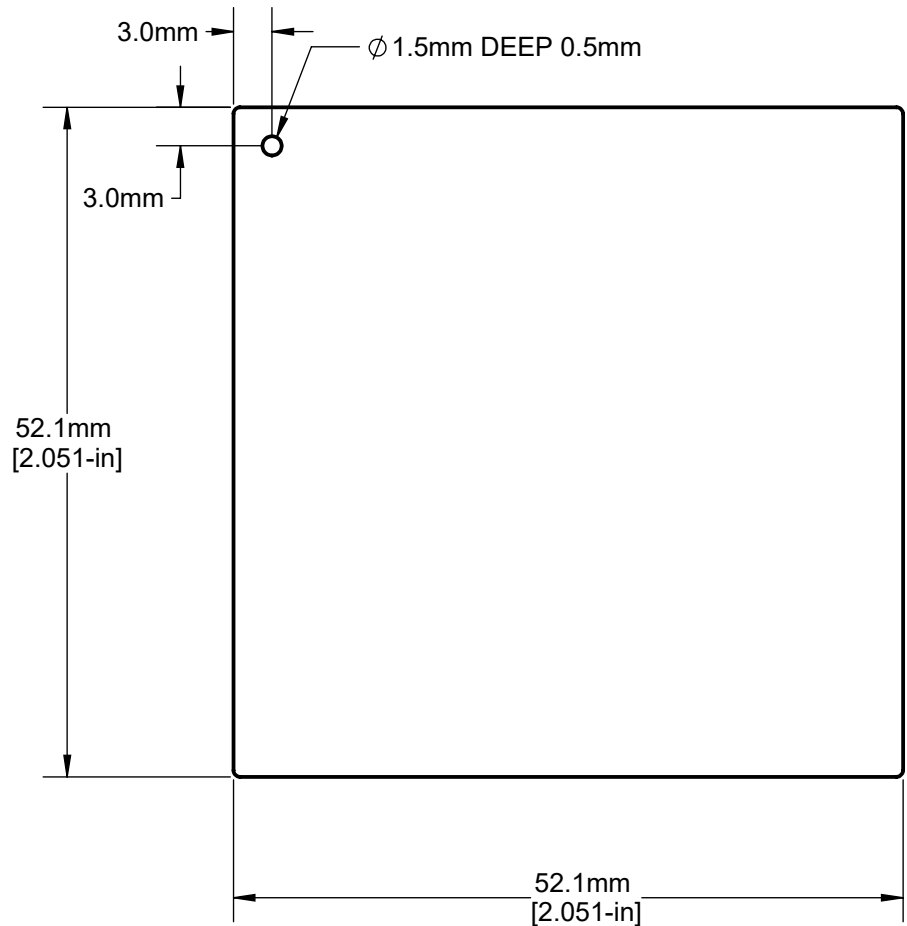


HEAT SPREADER

CAVITY VIEW



TOP VIEW



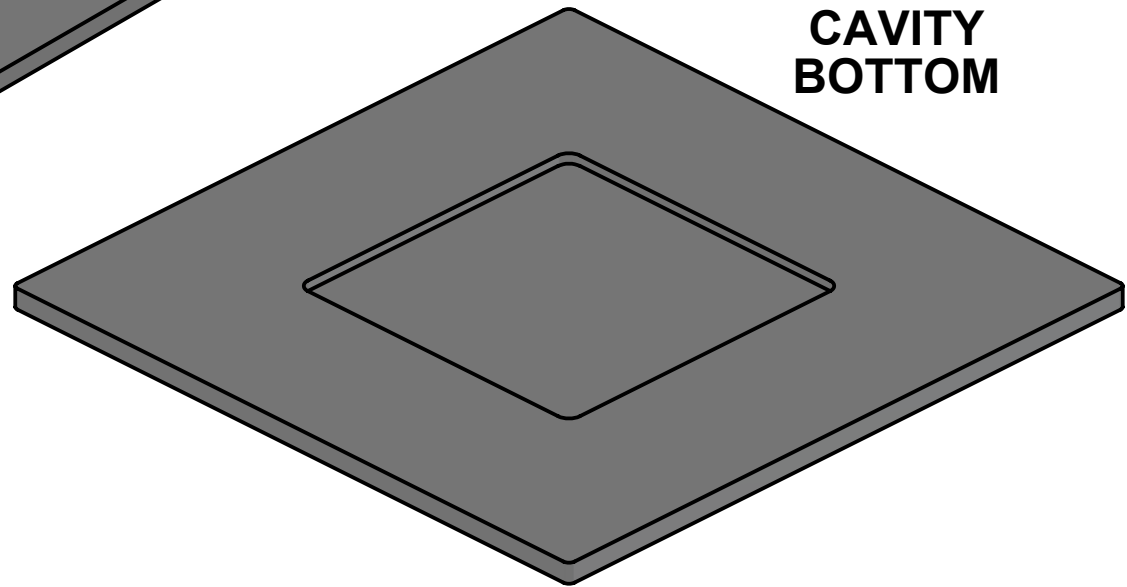
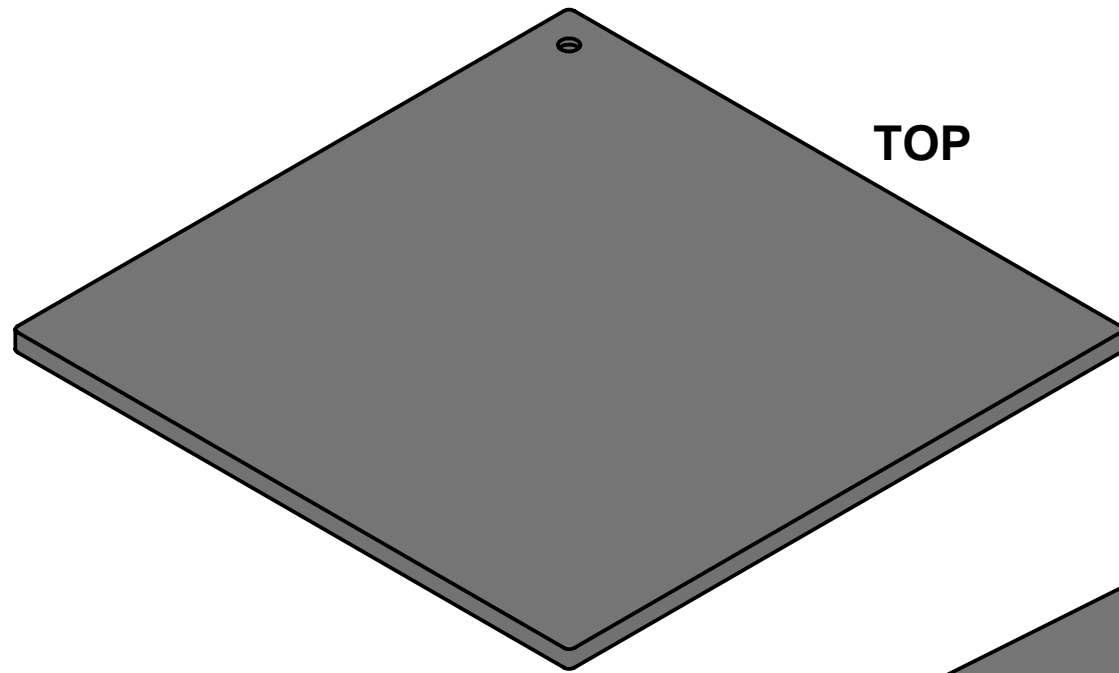
SECTION A-A

Notes: (Unless Otherwise Specified).

1. DIMENSIONS IN MM [INCH].
2. MATERIAL: COPPER ALLOY C110
HALF HARD OXYGEN FREE.
3. PLATING NICKEL 5um (200u-inch) MIN. MIL-C-26074E.
4. TOLERANCE $\pm 0.1\text{mm}$ ($\pm .004\text{-inch}$)

APPROVALS	DATE	TopLine®			
DRAWN T. Au	8/12/2020				
ENG M. Hart	8/12/2020	TITLE F-CAP52.5A FLAT CAVITY HEAT SPREADER			
MFG		SCALE	SIZE	DRAWING NO.	REV
QA		2.5:1	A	252790	A
CUST		DO NOT SCALE DRAWING			SHEET 1 OF 2
REVISED					

MODEL



TopLine®

TITLE F-CAP52.5A
FLAT CAVITY HEAT SPREADER

SCALE 2.5:1	SIZE A	DRAWING NO. 252790	REV A
----------------	-----------	-----------------------	----------

DO NOT SCALE DRAWING

SHEET 2 OF 2