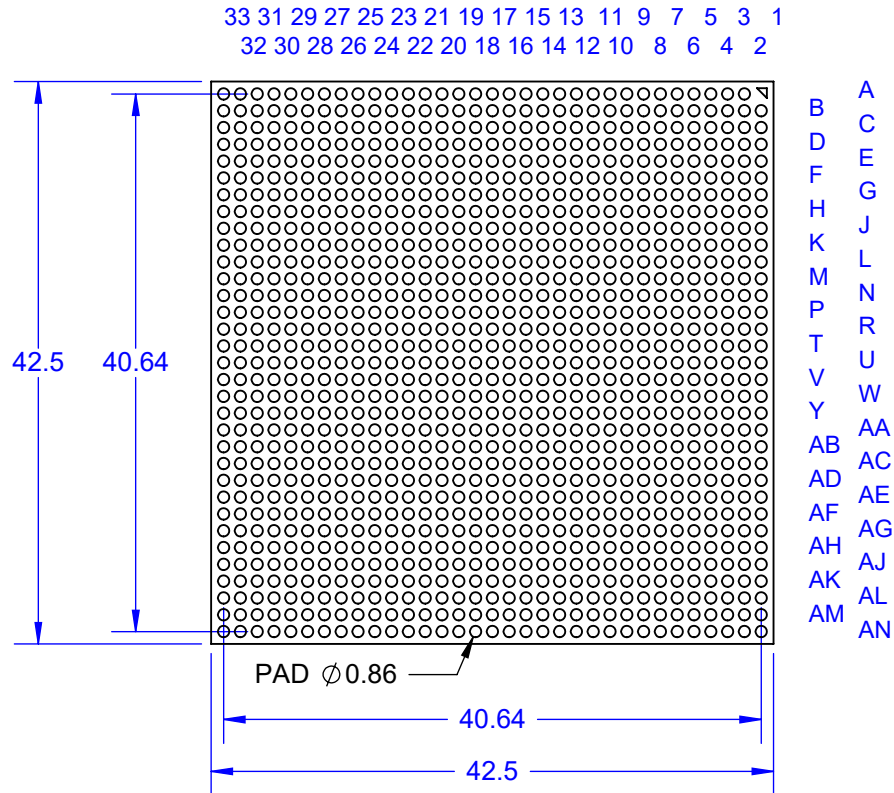
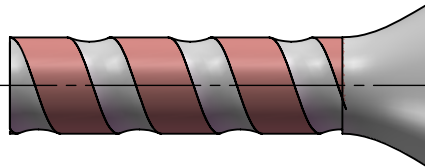


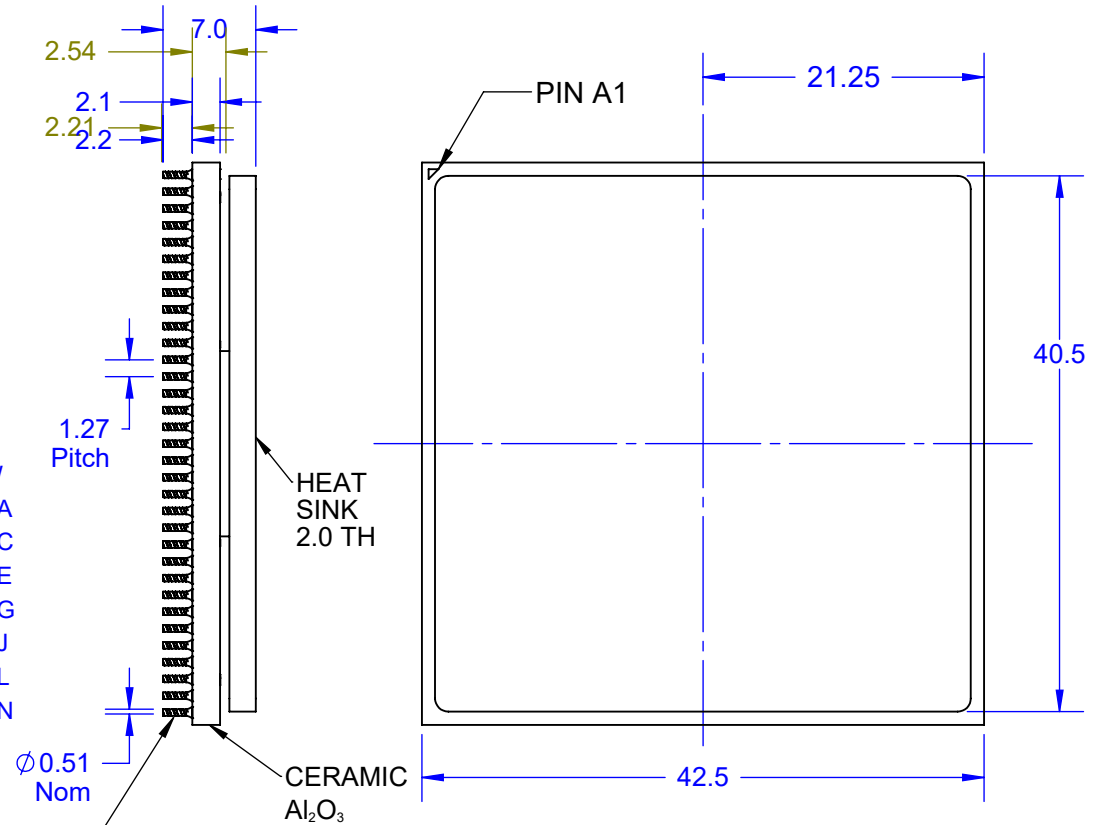
BOTTOM VIEW



Pb80/Sn20
Cu RIBBON
COLUMNS



TOP VIEW



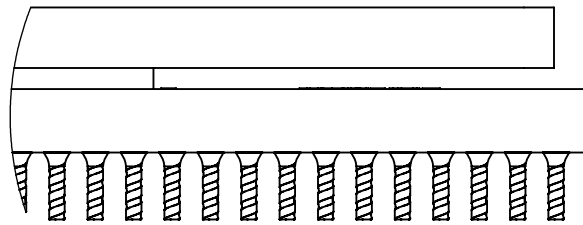
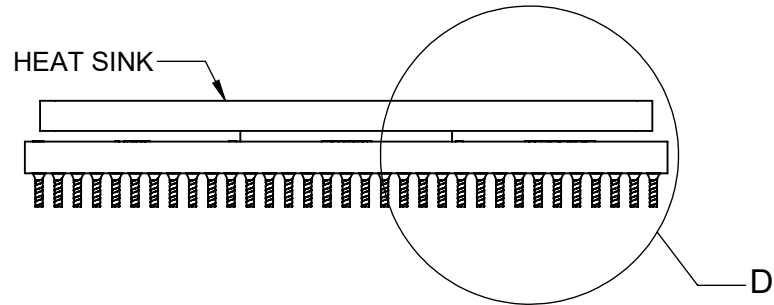
Notes: (Unless Otherwise Specified)

- 1) DIMENSION ARE IN mm.
- 2) SHOWN WITH Pb80/Sn20 Cu RIBBON COLUMNS.
- 3) 1088 COLUMNS.
- 4) DIE SIZE 14 x 14 x 0.7 MM.
- 5) PART NUMBER CCGA1088T1.27D.

PART NUMBER OPTIONS		
PART NUMBER	DUMMY DIE	SOLDER PIN
CCGA1088T1.27-D	YES	Pb80/Sn20 Cu RIBBON

APPROVALS	DATE	TopLine®			
DRAWN T.Au	3/11/2021				
ENG M. Hart	3/11/2021	TITLE CCGA1088T1.27-D COLUMN GRID ARRAY			
MFG		SCALE 1.75:1	SIZE A	DRAWING NO. 160123	REV A
QA		DO NOT SCALE DRAWING			SHEET1 OF 3
CUST					
REVISED					

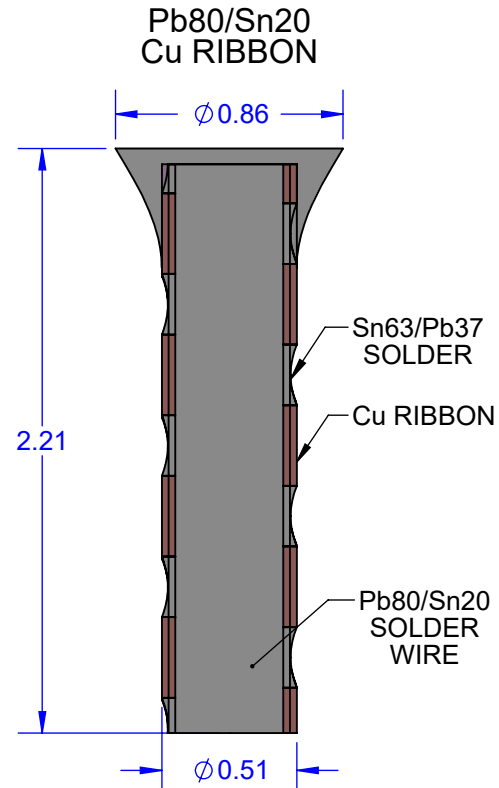
SOLDER PIN Pb80/Sn20



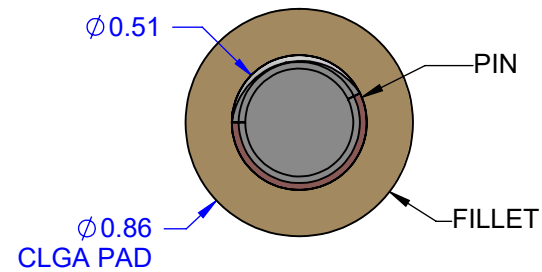
DETAIL D
SCALE 4 : 1



Pb80/Sn20
Cu RIBBON
SCALE 15:1



SECTION A-A
SCALE 35 : 1



TopLine[®]

TITLE CCGA1088T1.27-D
COLUMN GRID ARRAY

SCALE 1.75:1	SIZE A	DRAWING NO. 160123	REV A
-----------------	-----------	-----------------------	----------

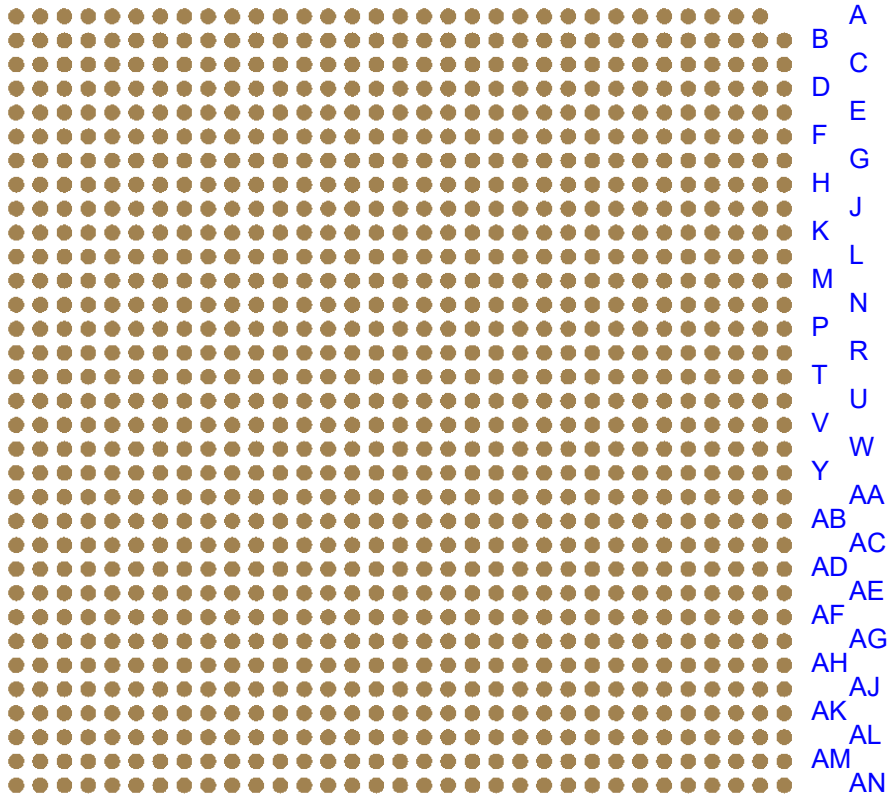
DO NOT SCALE DRAWING

SHEET 2 OF 3

PAD PATTERN

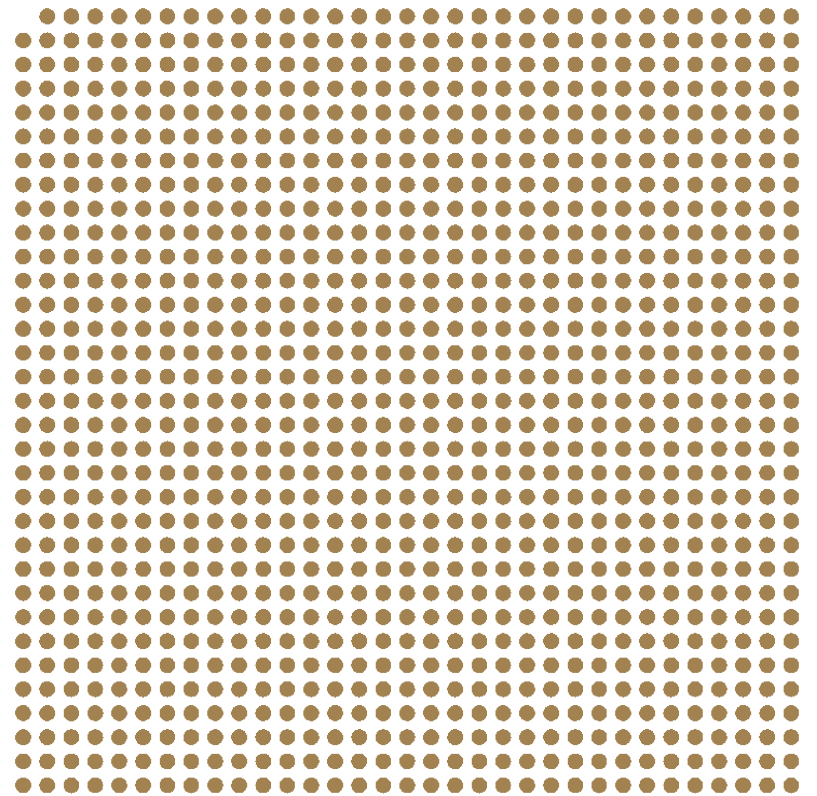
COLUMN VIEW

33 31 29 27 25 23 21 19 17 15 13 11 9 7 5 3 1
 32 30 28 26 24 22 20 18 16 14 12 10 8 6 4 2



BOTTOM X-RAY VIEWED FROM TOP

1 3 5 7 9 11 13 15 17 19 21 23 25 27 29 31 33
 2 4 6 8 10 12 14 16 18 20 22 24 26 28 30 32



TITLE			
CCGA1088T1.27-D COLUMN GRID ARRAY			
SCALE	SIZE	DRAWING NO.	REV
2.75:1	A	160123	A
DO NOT SCALE DRAWING			SHEET 3 OF 3