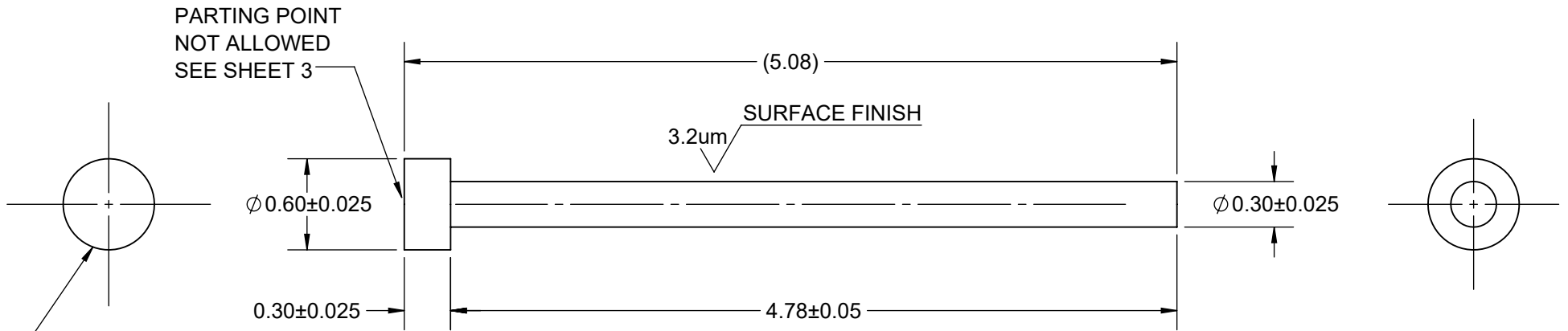


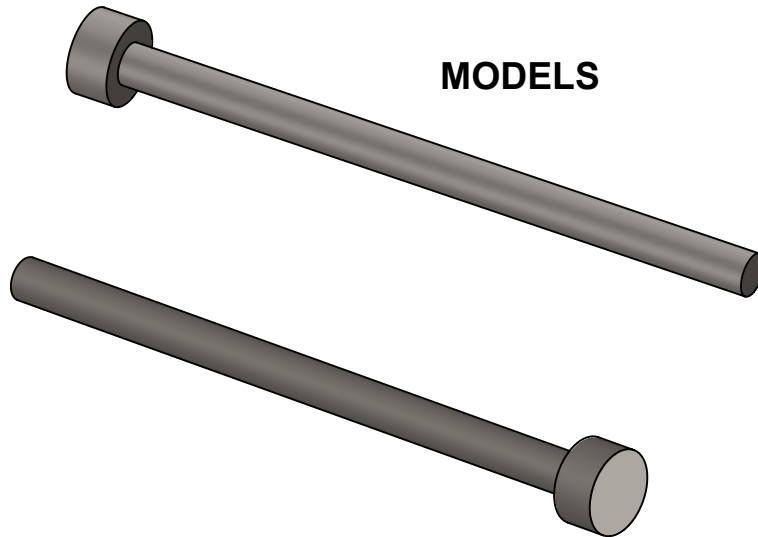
**TOP**

**SIDE VIEW**

**END VIEW**



**MODELS**

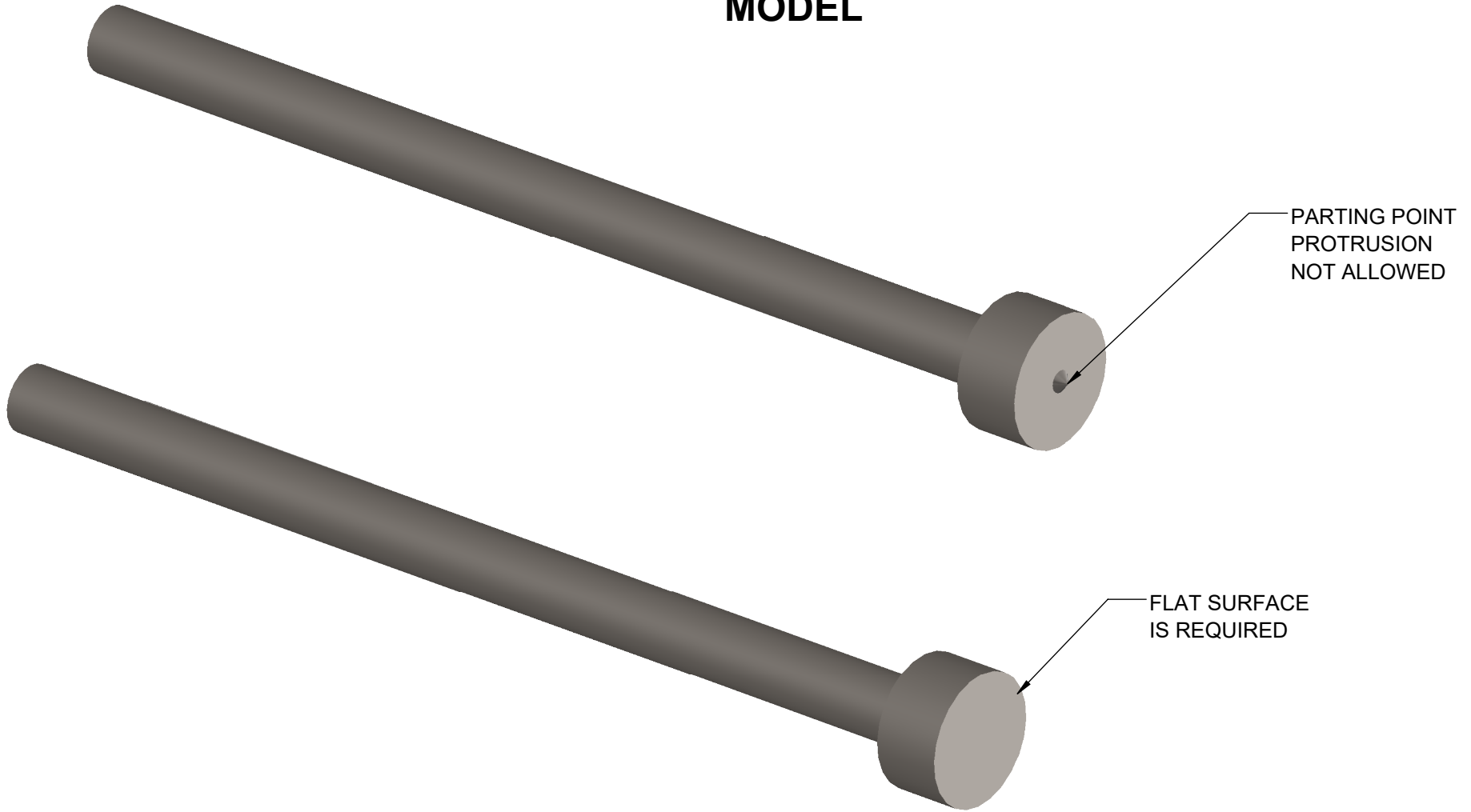


**NOTES:**

1. DIMENSIONS MM (UNLESS OTHERWISE SPECIFIED).
2. BASE METAL: TITANIUM GRADE GR5.
3. ONE PIECE CONSTRUCTION.
4. SURFACE FINISH < 3.2um.

APPROVALS	DATE	<b>TopLine<sup>®</sup></b>			
DRAWN T. Au	4/20/2023				
ENG M. Hart	4/20/2023	TITLE Ti5U12x200NH Ti Nail Head Pin			
MFG		SCALE	SIZE	DRAWING NO.	REV
QA		25:1	A	161980	A
CUST		DO NOT SCALE DRAWING			SHEET 1 OF 2
REVISED					

# MODEL



<b>TopLine<sup>®</sup></b>			
TITLE		Ti5U12x200NH Ti Nail Head Pin	
SCALE	SIZE	DRAWING NO.	REV
25:1	A	161980	A
DO NOT SCALE DRAWING			SHEET 2 OF 2