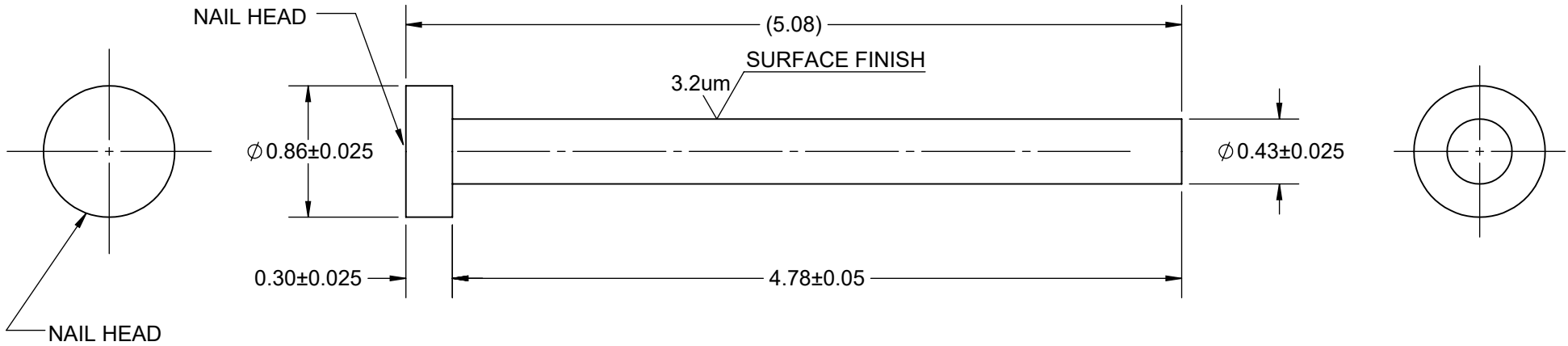


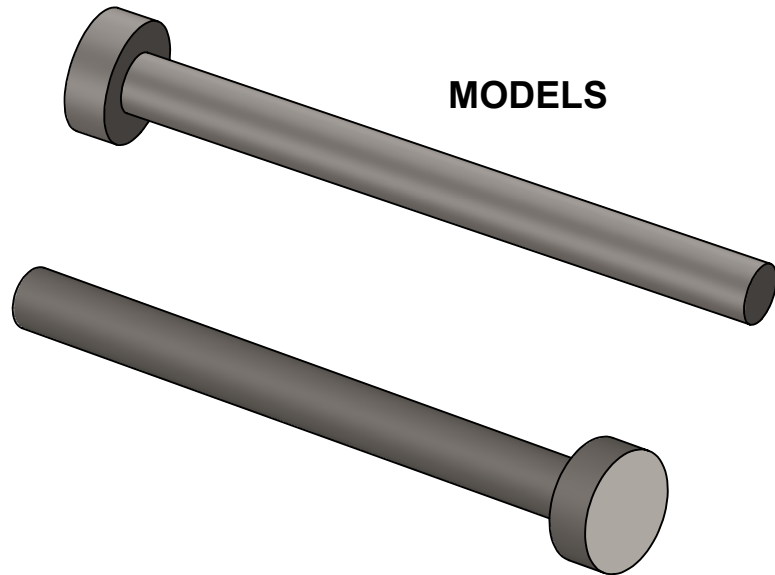
**TOP**

**SIDE VIEW**

**END VIEW**



**MODELS**



**NOTES:**

1. DIMENSIONS MM (UNLESS OTHERWISE SPECIFIED).
2. BASE METAL: TITANIUM GRADE GR5.
3. ONE PIECE CONSTRUCTION.
4. SURFACE FINISH < 3.2um.

APPROVALS	DATE	<b>TopLine®</b>			
DRAWN T. Au	8/11/2022				
ENG M. Hart	8/11/2022	TITLE T15U17x200NH Ti Nail Head Pin			
MFG		SCALE	SIZE	DRAWING NO.	REV
QA		25:1	A	161950	A
CUST		DO NOT SCALE DRAWING			SHEET 1 OF 1
REVISED					