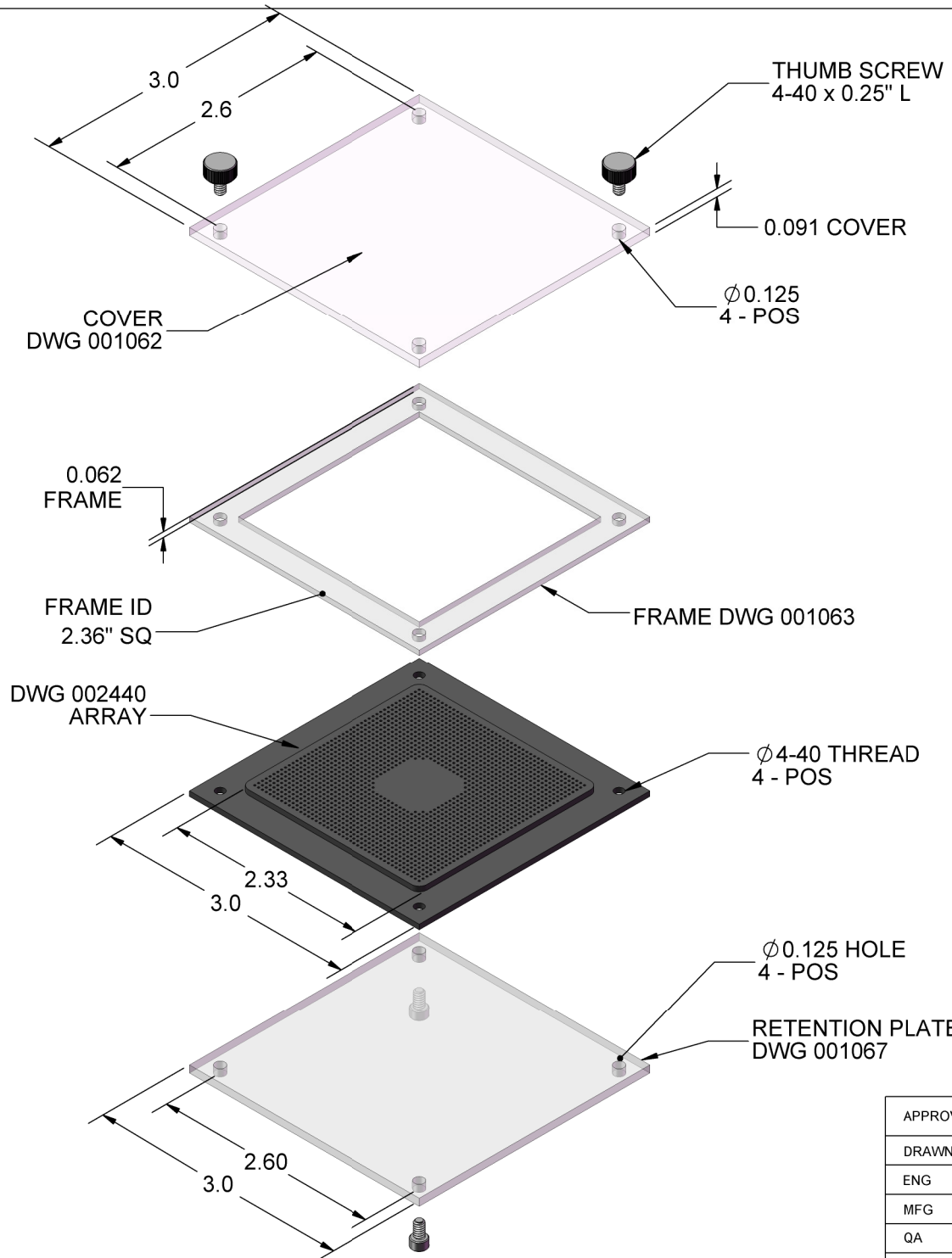
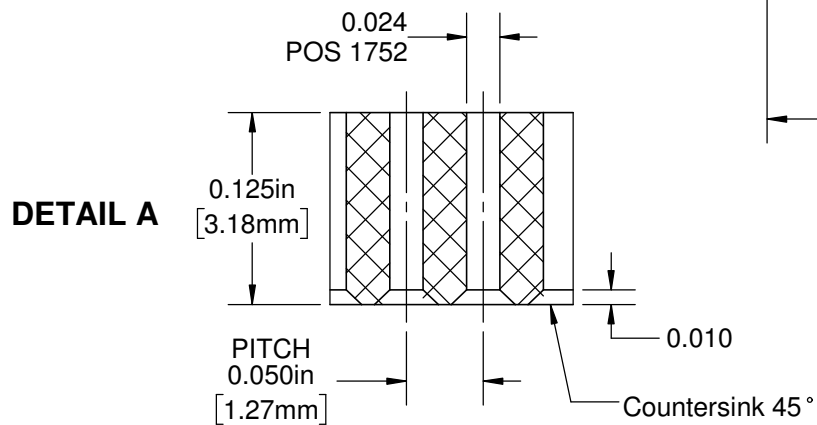
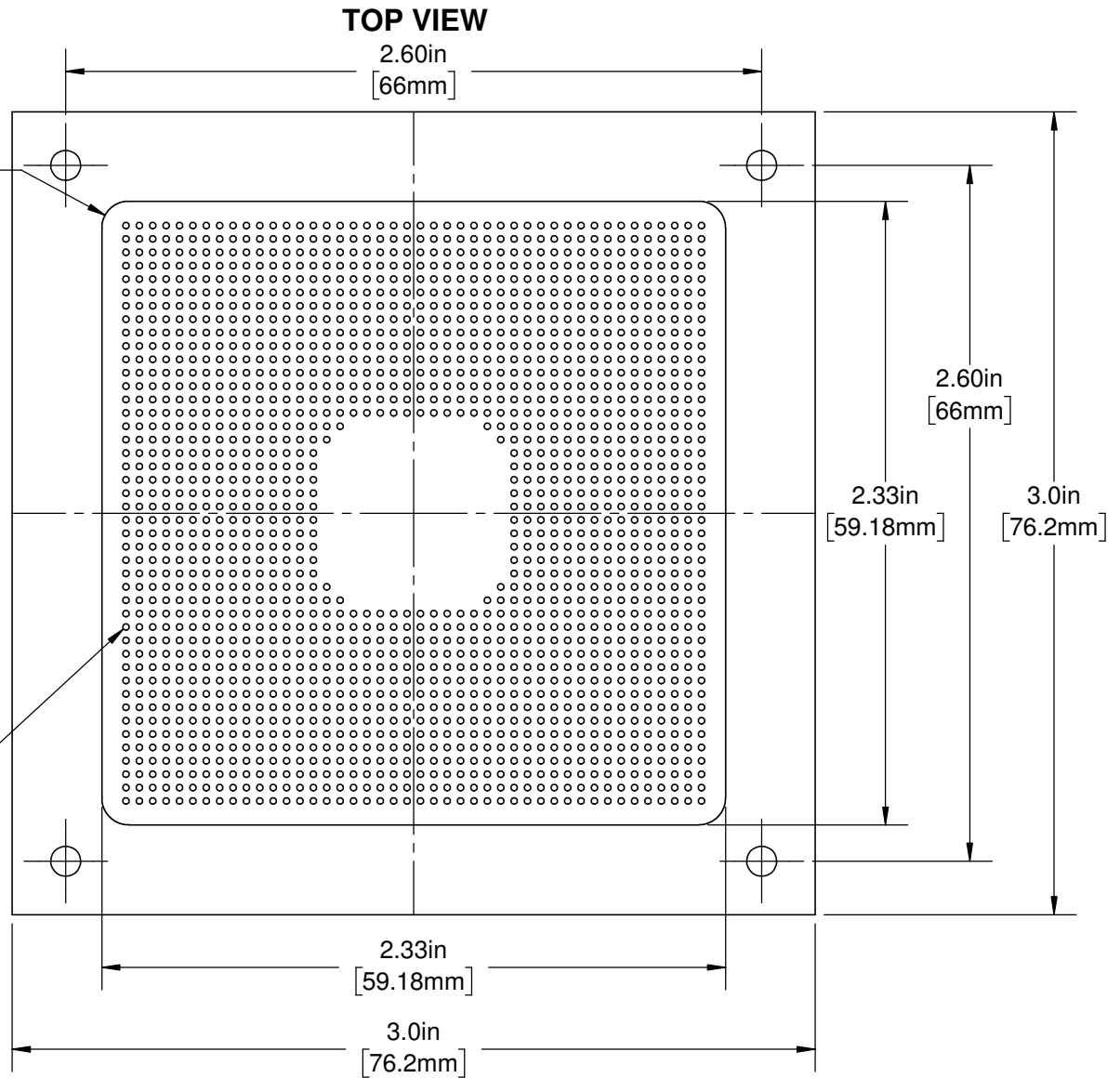
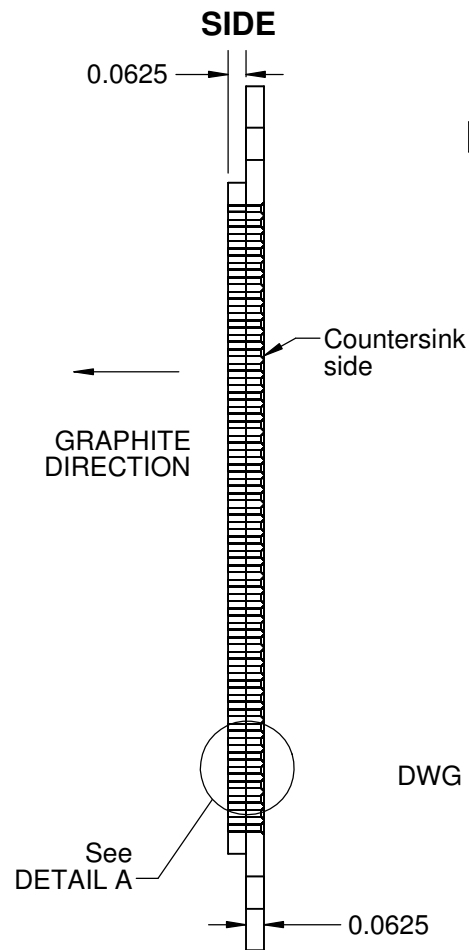


ASSEMBLY EXPLODED VIEW FLIP-PACK SYSTEM 3-INCH [76.2mm]



APPROVALS	DATE	TopLine [®]			
DRAWN T. Au	3/6/2018				
ENG M. Hart	3/6/2018	TITLE FLIP PACK SYSTEM 3-INCH [76.2mm]			
MFG		SCALE	SIZE	DRAWING NO.	REV
QA		1.25:1	A	001018	A
CUST		DO NOT SCALE DRAWING			SHEET 1 OF 6
REVISED					



- NOTES:**
1. DIMENSIONS INCHES [mm].
 2. MATERIAL FR4 BLACK.

TopLine®

TITLE FP1752 1.27mm PITCH
FLIP PACK

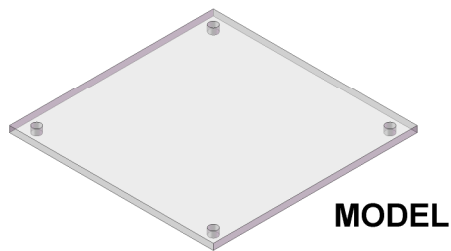
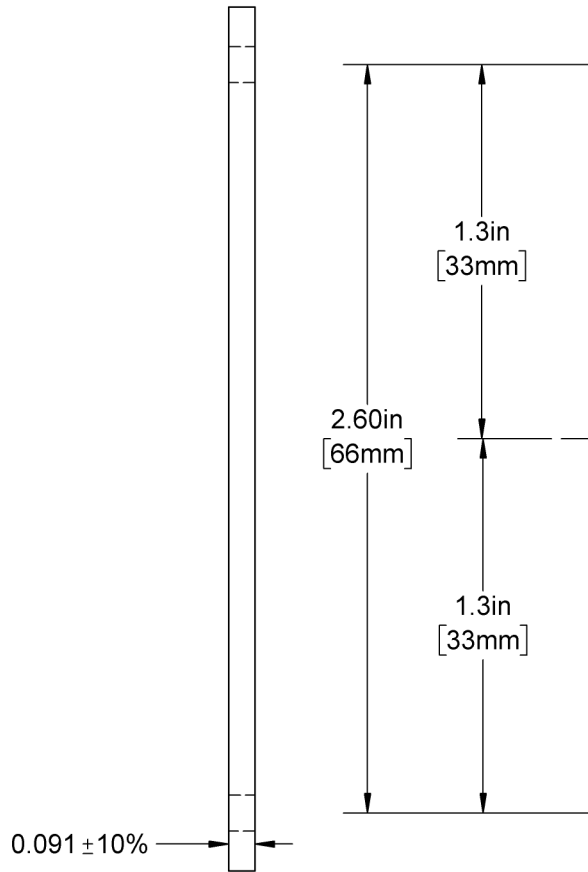
SCALE	SIZE	DRAWING NO.	REV
3:2	A	002440	A

DO NOT SCALE DRAWING

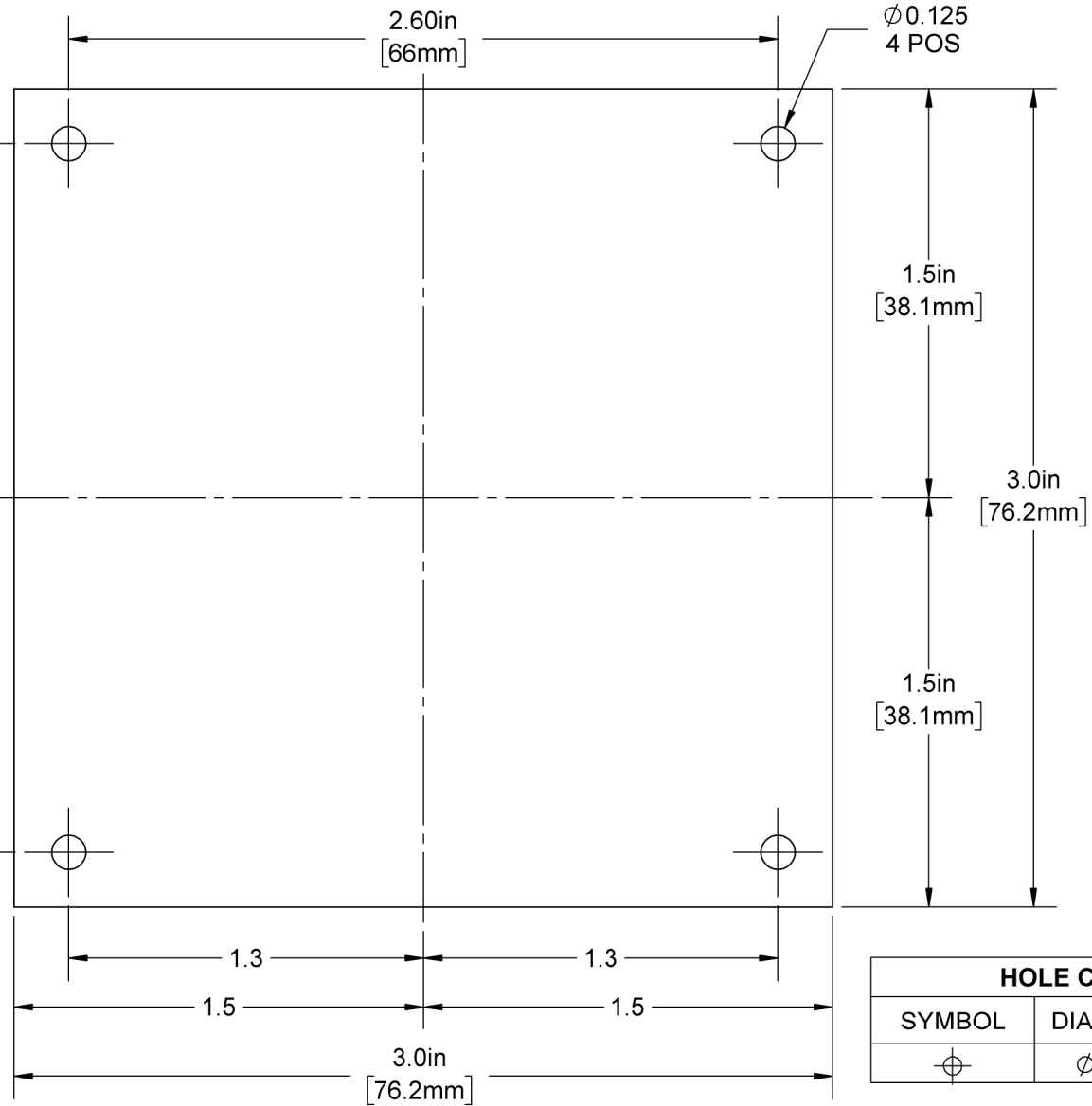
SHEET 2 OF 6

RETENTION PLATE TOP VIEW

SIDE VIEW



MODEL



HOLE CHART		
SYMBOL	DIAMETER	QTY
⊙	Ø 0.125	4

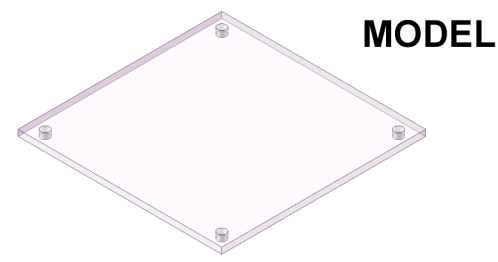
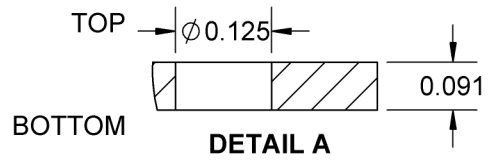
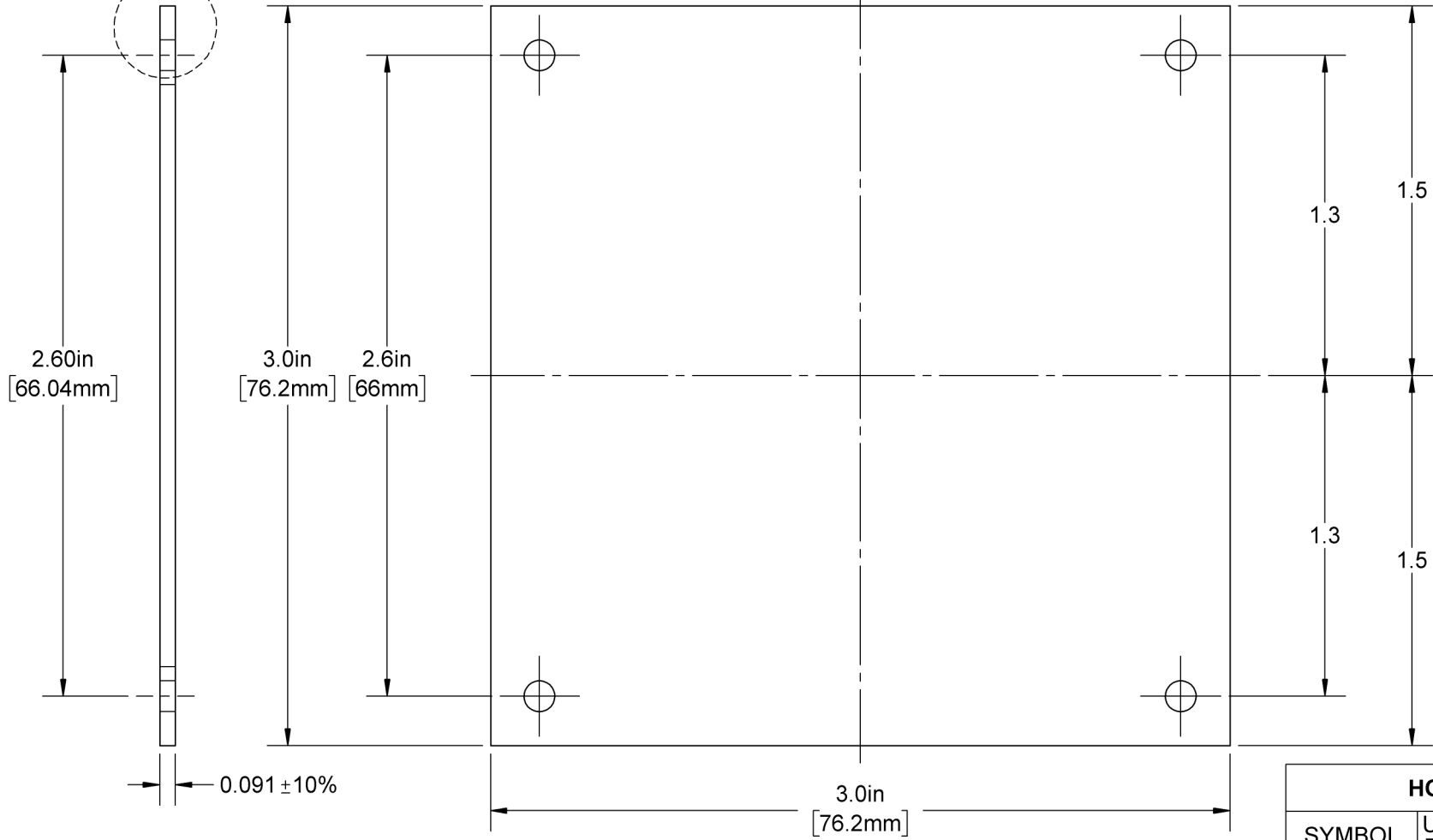
- NOTES:**
1. DIMENSIONS INCHES UNLESS OTHERWISE STATED.
 2. MATERIAL CLEAR PC-300 POLYCARBONATE.
 3. SURFACE RESISTIVITY: STATIC DISSIPATIVE $10^6 \sim 10^8 \Omega$.

TopLine®			
TITLE FLIP PACK SYSTEM BOTTOM RETENTION PLATE			
SCALE	SIZE	DRAWING NO.	REV
3:2	A	001067	A
DO NOT SCALE DRAWING			SHEET 3 OF 6

SIDE VIEW

**COVER
TOP VIEW**

See
DETAIL A



HOLE CHART		
SYMBOL	UNPLATED DIAMETER	QTY HOLES
+	$\phi 0.125$	4

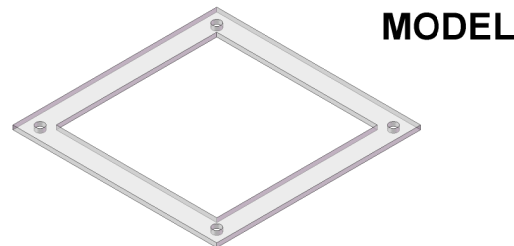
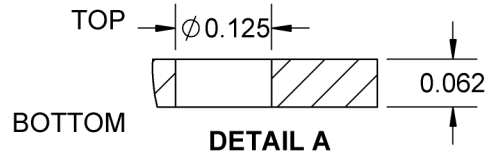
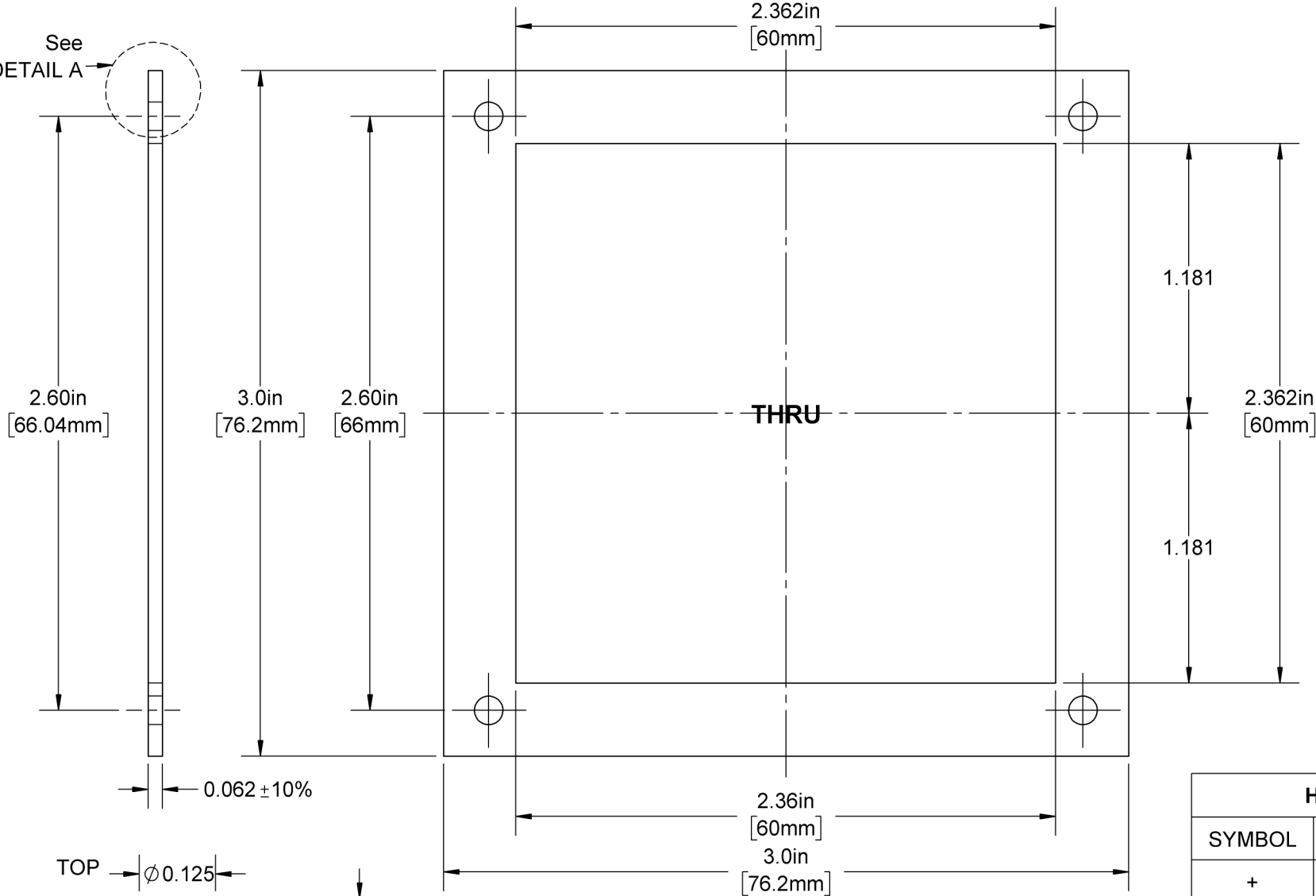
TopLine®			
TITLE COVER FOR FRAME			
SCALE 3:2	SIZE A	DRAWING NO. 001062	REV A
DO NOT SCALE DRAWING			SHEET 4 OF 6

- Notes: (Unless Otherwise Specified).
1. DIMENSIONS IN INCH.
 2. MATERIAL: CLEAR PC-300 POLYCARBONATE.
 3. STATIC DISSIPATIVE $10^6 \sim 10^8 \Omega$ (ESD SAFE).

SIDE VIEW

TOP VIEW

See
DETAIL A

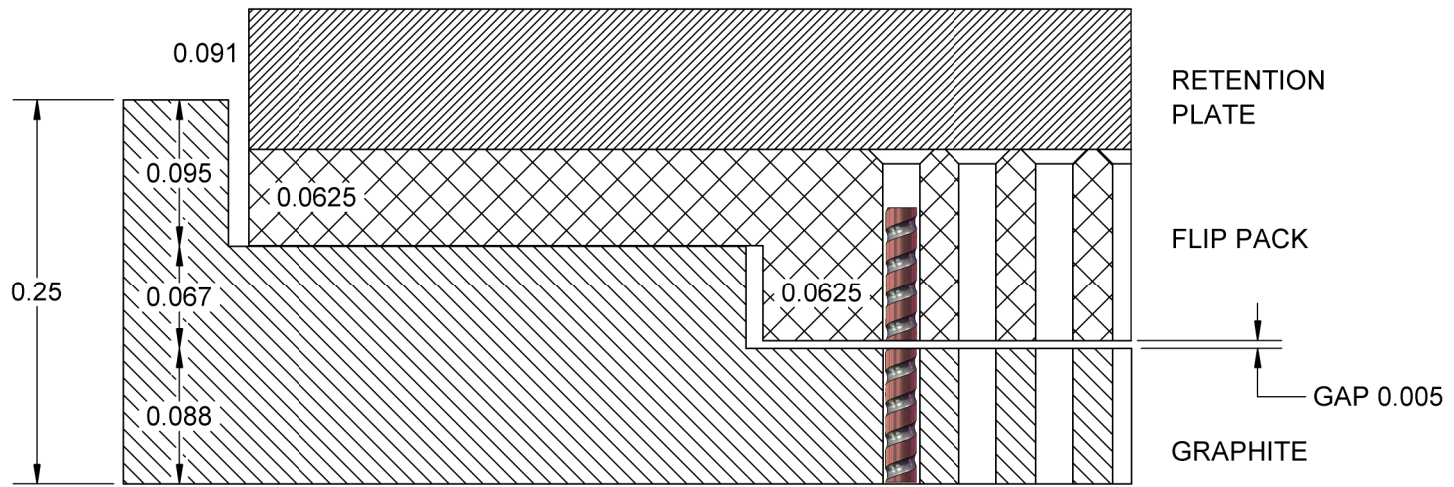


HOLE CHART		
SYMBOL	UNPLATED DIAMETER	QTY HOLES
+	$\phi 0.125$	4

- Notes: (Unless Otherwise Specified).
 1. DIMENSIONS IN INCH.
 2. MATERIAL: CLEAR PC-300 POLYCARBONATE.
 3. STATIC DISSIPATIVE $10^6 \sim 10^8 \Omega$ (ESD SAFE).

TopLine®			
TITLE 7.62mm FRAME TOP COVER PLATE			
SCALE 3:2	SIZE A	DRAWING NO. 001063	REV A
DO NOT SCALE DRAWING			SHEET 5 OF 6

**SIDE ELEVATION
INVERTED FLIP PACK
(WITHOUT TOP COVER)
SEATED IN GRAPHITE**



TopLine[®]

TITLE 7.62mm FRAME
TOP COVER PLATE

SCALE 8:1	SIZE A	DRAWING NO. 001063	REV A
--------------	-----------	-----------------------	----------