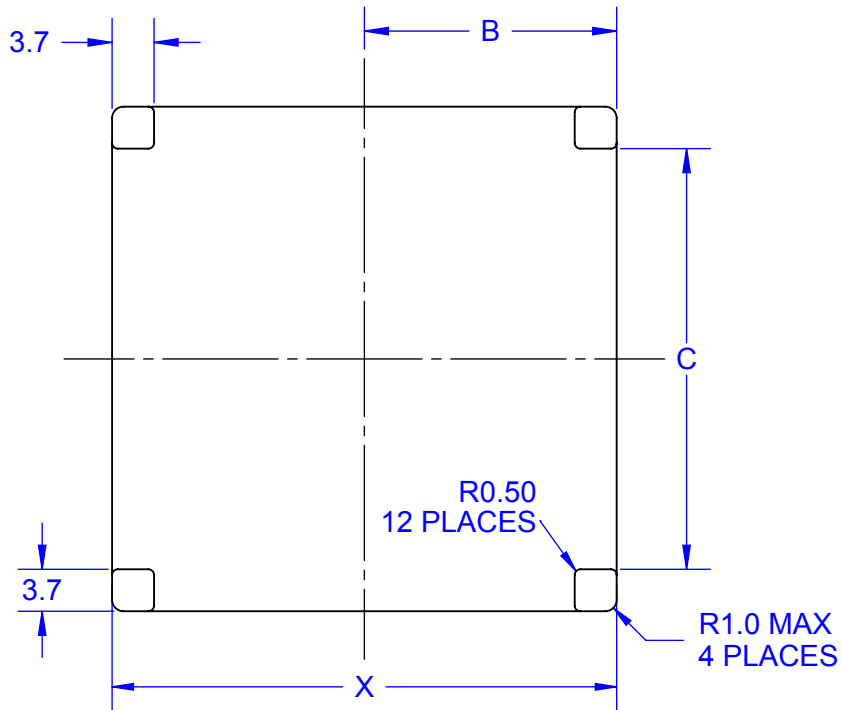
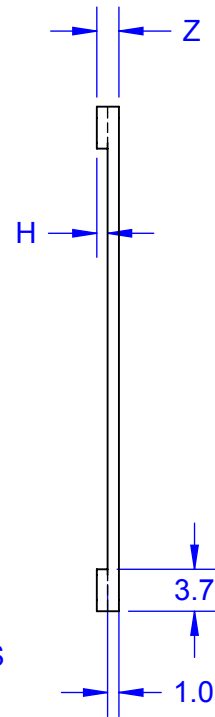


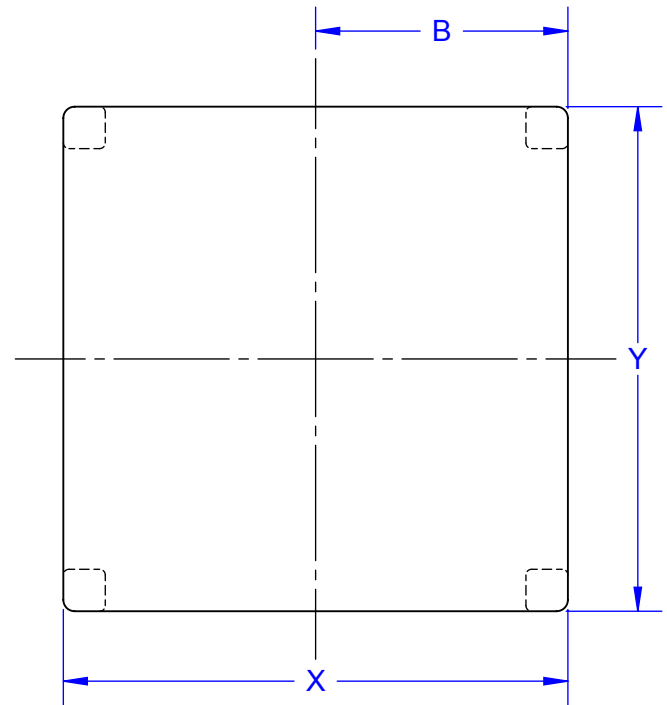
BOTTOM VIEW



SIDE VIEW



TOP VIEW




PART NUMBER TABLE

X	Y	Z	H	B	C	PART NUMBER	DWG
30.5	30.5	1.95	0.95	15.25	23.1	CN-CAP31A	111310
32.0	32.0	1.95	0.95	16.00	24.6	CN-CAP32A	111320
34.5	34.5	1.95	0.95	17.25	27.1	CN-CAP35A	111350
37.0	37.0	1.95	0.95	18.50	29.6	CN-CAP37A	111370
39.5	39.5	1.95	0.95	19.75	32.1	CN-CAP40A	111400
42.0	42.0	1.95	0.95	21.00	34.6	CN-CAP42A	111420
44.5	44.5	1.95	0.95	22.25	37.1	CN-CAP45A	111450
52.0	52.0	1.95	0.95	26.00	44.6	CN-CAP52A	111520

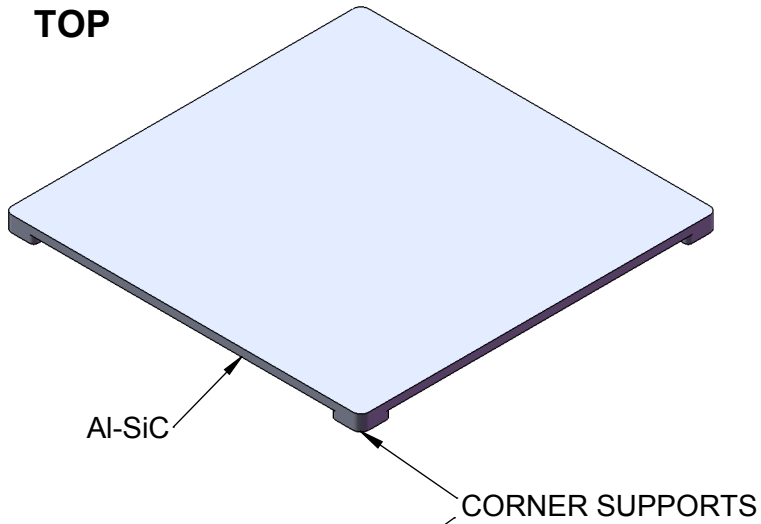
NOTES:

1. DIMENSIONS IN mm.
2. MATERIAL Al-SiC.
3. TOLERANCE ± 0.127 mm.

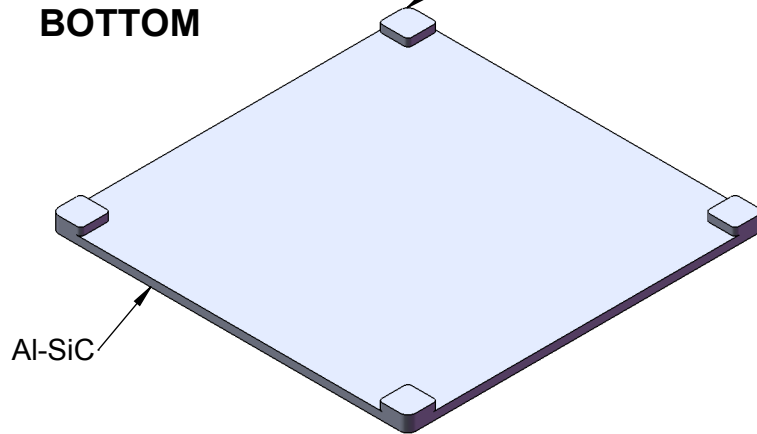
APPROVALS		DATE				
DRAWN	T.Au	09/28/14				
ENG	M. Hart	09/28/14	TITLE		CN-CAP (MASTER) HEAT SPREADER	
MFG			SCALE	SIZE	DRAWING NO.	REV
QA			1.5:1	A	111000	A
CUST			DO NOT SCALE DRAWING			SHEET 1 OF 2
REVISED						

MODELS

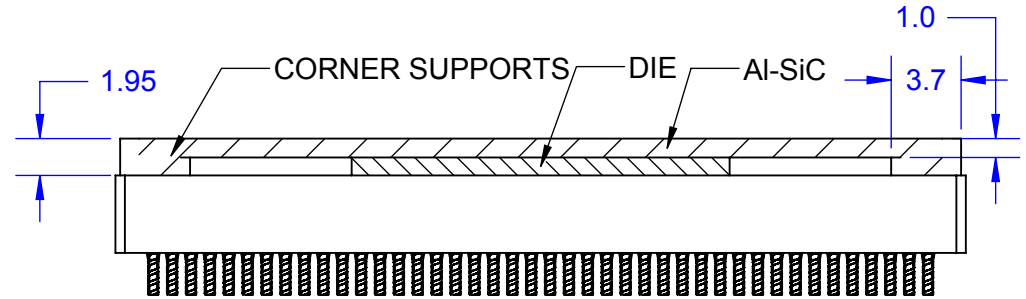
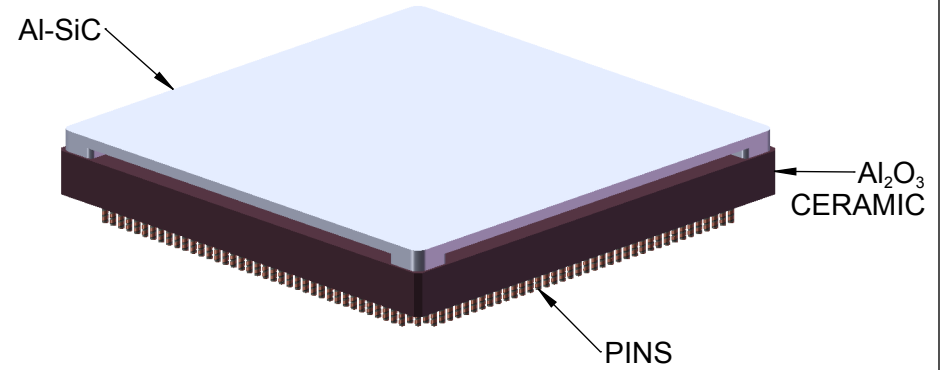
TOP



BOTTOM



MOUNTED TO SUBSTRATE



TYPICAL SIDE VIEW

APPROVALS	DATE	TopLine®			
DRAWN T.Au	09/28/14				
ENG M. Hart	09/28/14	TITLE CN-CAP (MASTER) HEAT SPREADER			
MFG		SCALE 2.5:1	SIZE A	DRAWING NO. 111000	REV A
QA		DO NOT SCALE DRAWING			SHEET 2 OF 2
CUST					
REVISED					