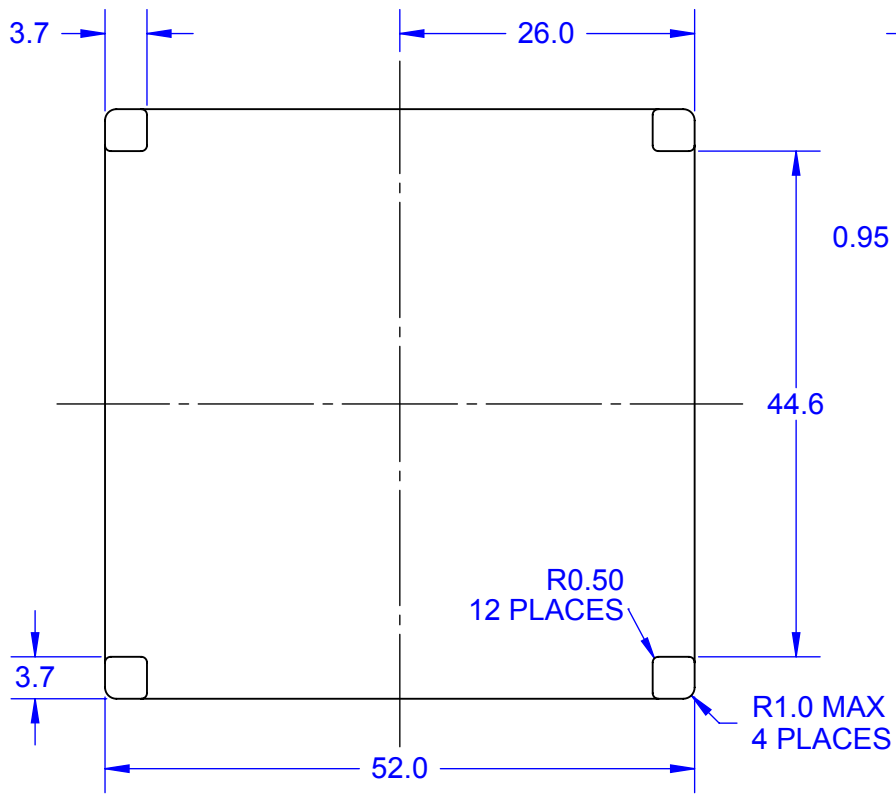
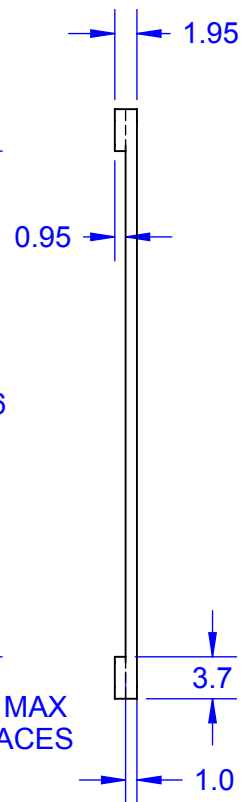


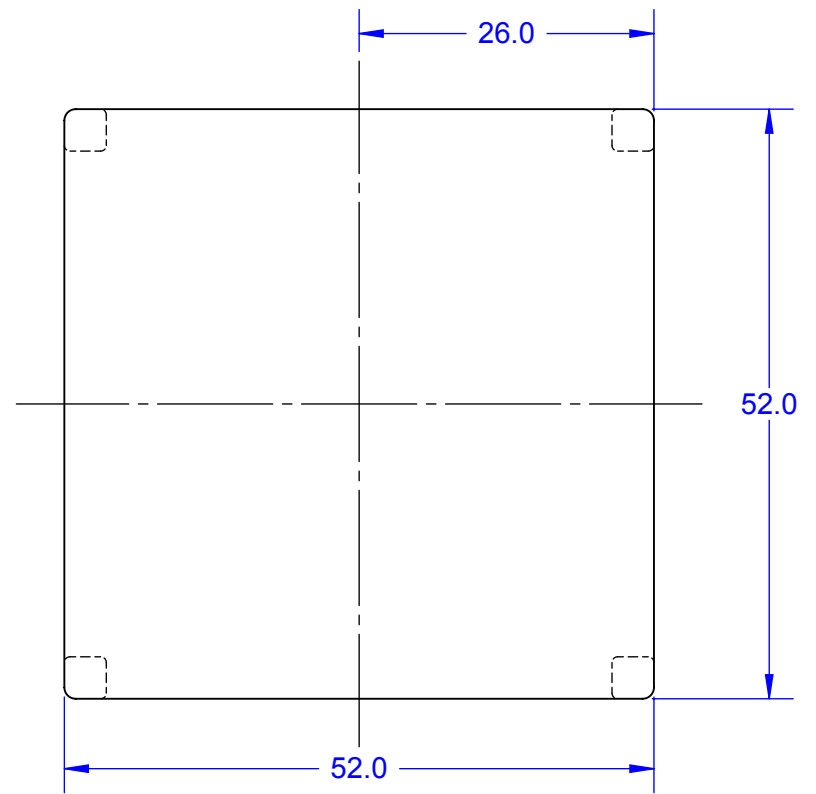
BOTTOM VIEW



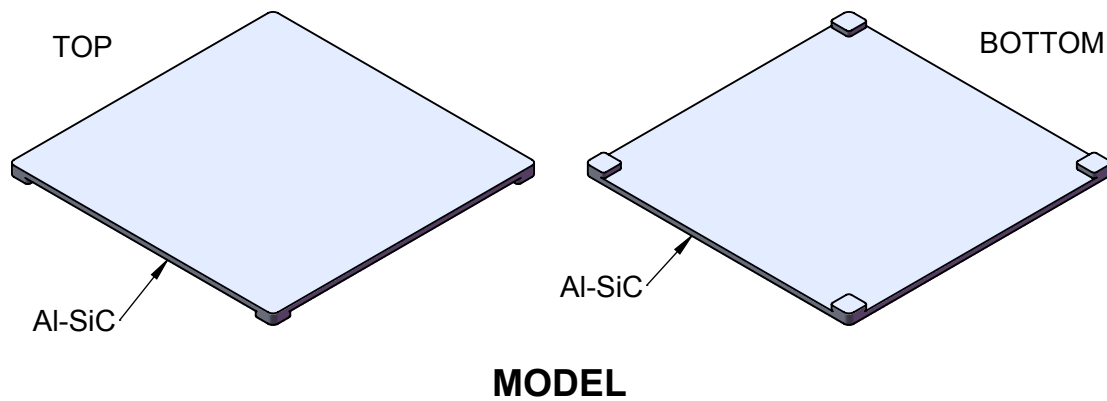
SIDE VIEW



TOP VIEW



- NOTES:**
 1. DIMENSIONS IN mm.
 2. MATERIAL Al-SiC.
 3. TOLERANCE ± 0.127 mm.



MODEL

APPROVALS	DATE	TopLine®			
DRAWN T.Au	09/28/14				
ENG M. Hart	09/28/14	TITLE CN-CAP52A HEAT SPREADER			
MFG		SCALE	SIZE	DRAWING NO.	REV
QA		1.5:1	A	111520	A
CUST		DO NOT SCALE DRAWING			SHEET 1 OF 1
REVISED					