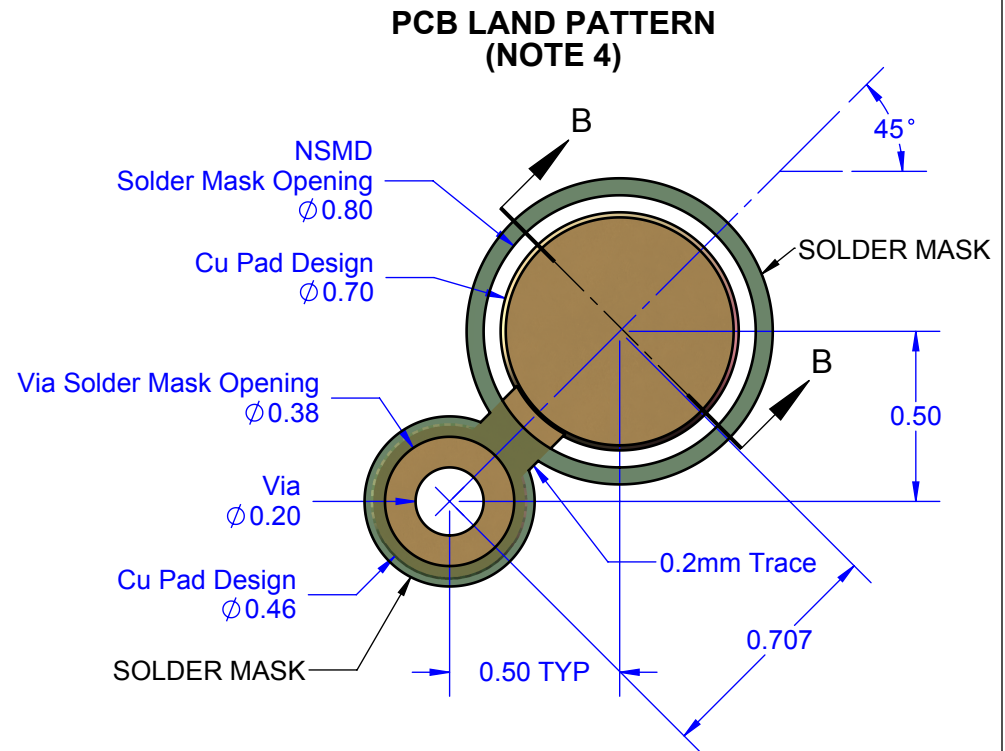


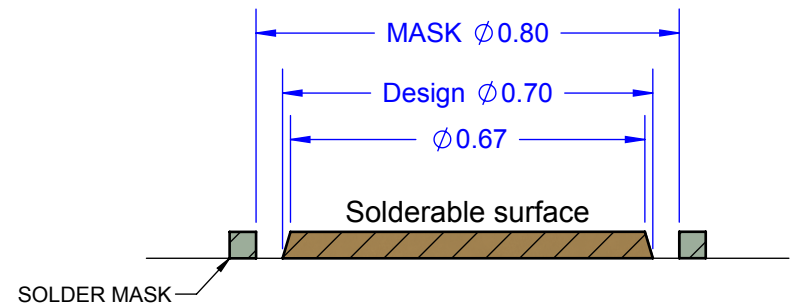
LGA - LAND GRID ARRAY PAD PLATING Ni-Au

Notes: (Unless Otherwise Specified).

- 1) DIMENSIONS IN mm [INCHES].
- 2) THICKNESS Sn63/Pb37 SOLDER COAT 6~25 μm [0.25~1.0mil].
- 3) Cu ALLOY C10100 - OFE (CDA-101). 99.99% PURE.
- 4) PCB BOARD DIMENSIONS ARE PRESENTED ONLY AS A GUIDELINE. DESIGNERS SHOULD USE THEIR OWN EXPERIENCE WHEN DESIGNING PCB.



Cu PAD SIDE VIEW



Section B-B

| | | | | | |
|-------------|----------|---|------|-------------|--------------|
| APPROVALS | DATE | TopLine® | | | |
| DRAWN T. Au | 04/07/15 | | | | |
| ENG M. Hart | 04/07/15 | TITLE CG8020C15x150 CCGA SOLDER COLUMN | | | |
| MFG | | SCALE | SIZE | DRAWING NO. | REV |
| QA | | 22:1 | A | 801597 | A |
| CUST | | DO NOT SCALE DRAWING | | | SHEET 1 OF 1 |
| REVISED | | | | | |