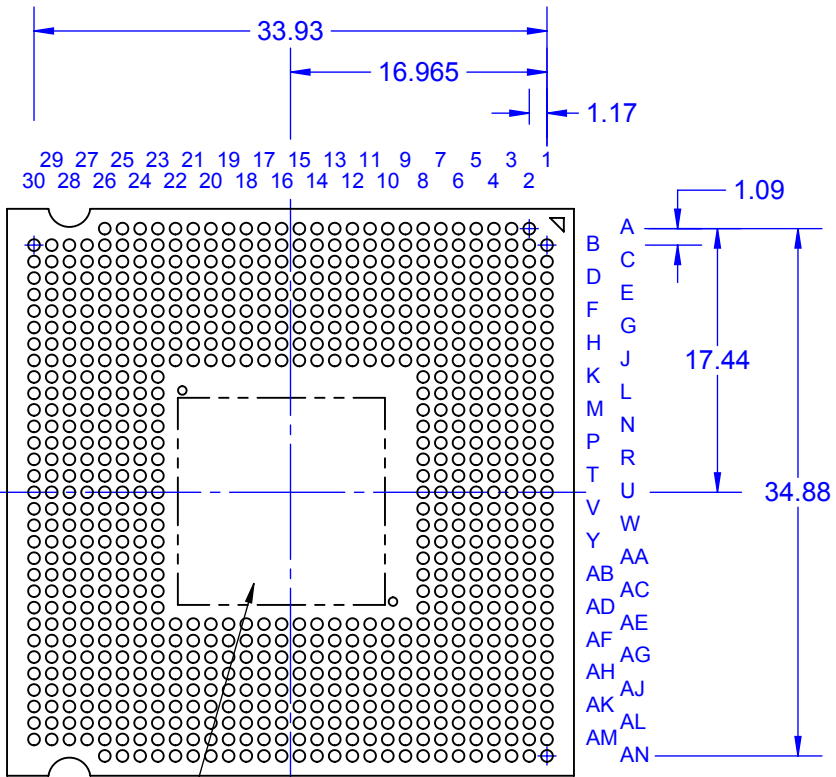


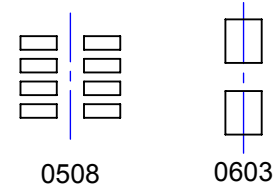
BOTTOM VIEW



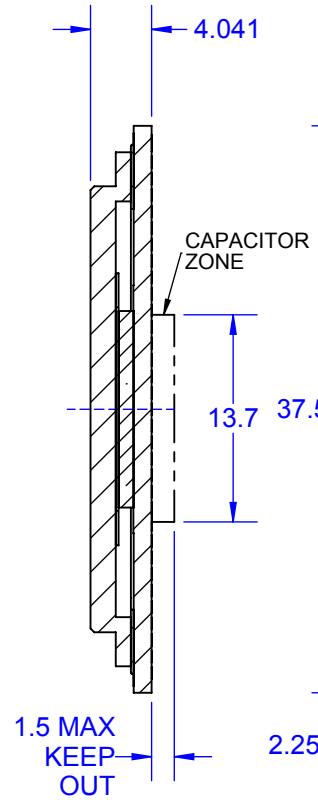
SEE DETAIL B
CAPACITOR PADS

NOTES:
Pitch 1.17mm (46.06 mil) - Pad Matrix 30
Pitch 1.09mm (42.91 mil) - Pad Matrix 33

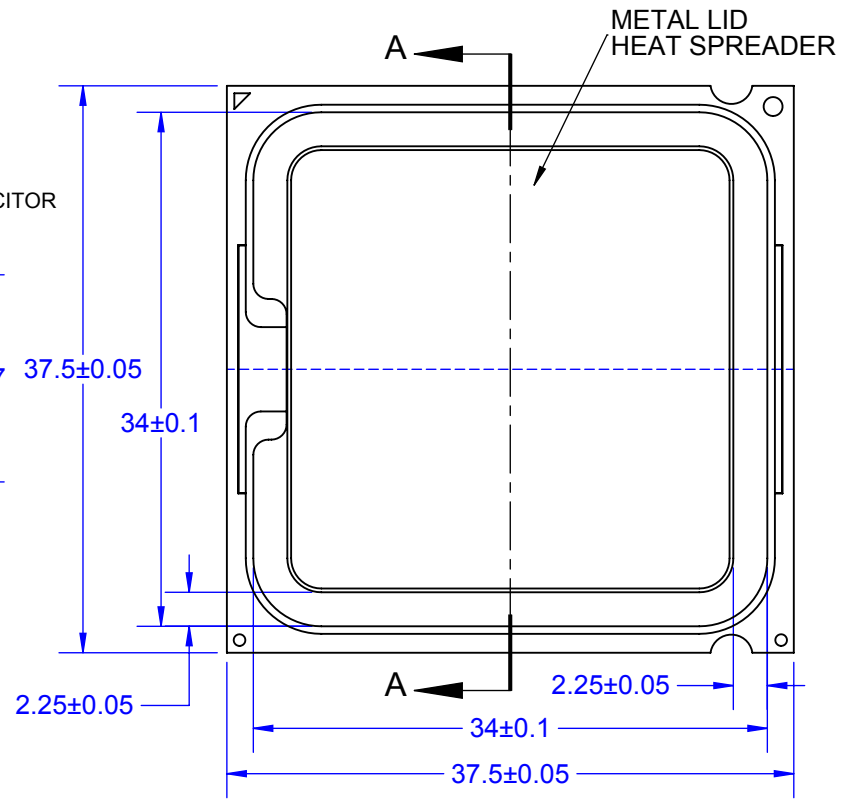
SEE DETAIL B
CAPACITOR ARRAY
SEE PAGE 7



SIDE VIEW



TOP VIEW



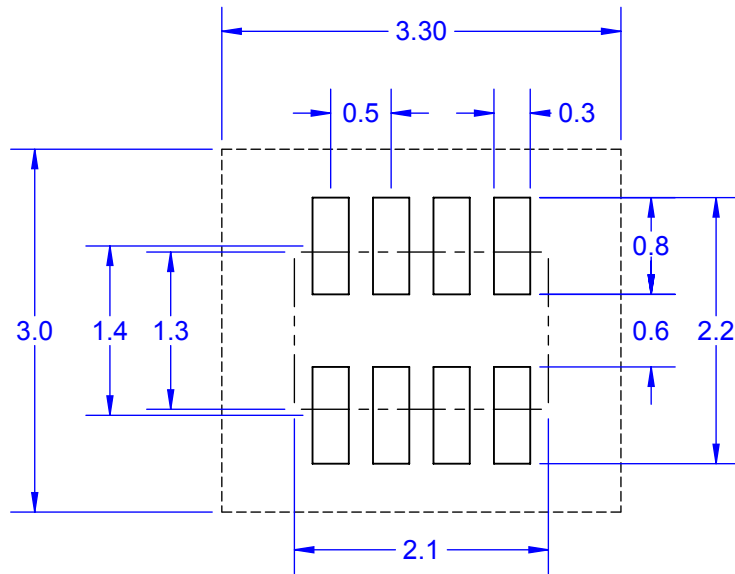
Notes: (Unless Otherwise Specified)
1) DIMENSIONS ARE IN mm.
2) PLASTIC LGA WITHOUT COLUMNS.
3) OUTLINE SIMILAR TO INTEL 5400 SERIES.

PART NUMBER OPTIONS				
PART NUMBER	DIE	SOLDER PIN	LID	CAPACITOR
LGA771T-30x33F	YES	NONE	YES	YES

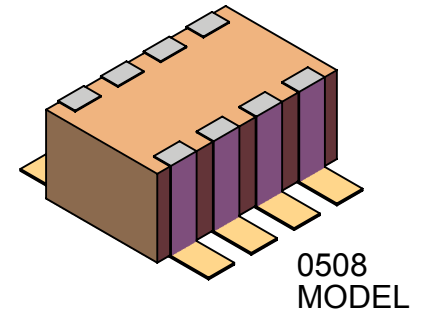
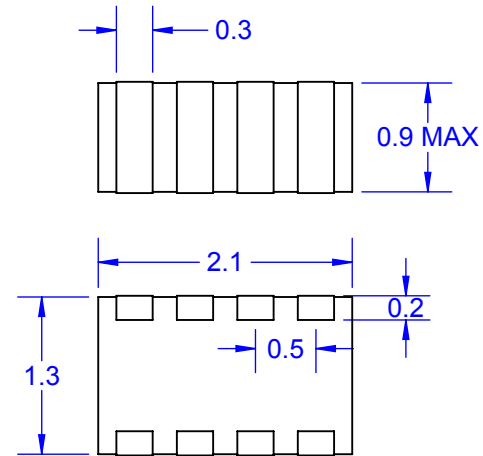
APPROVALS	DATE	TopLine®		
DRAWN T. Au	12/19/14			
ENG M. Hart	12/19/14	TITLE LGA771T-30x33F LAND GRID ARRAY		
MFG		SCALE 2:1	SIZE A	DRAWING NO. 160411
QA				REV A
CUST				
REVISED		DO NOT SCALE DRAWING		SHEET 1 OF 8

DETAIL B

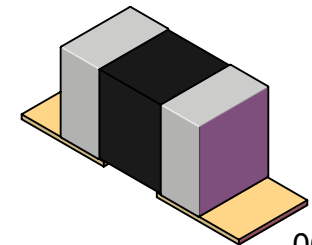
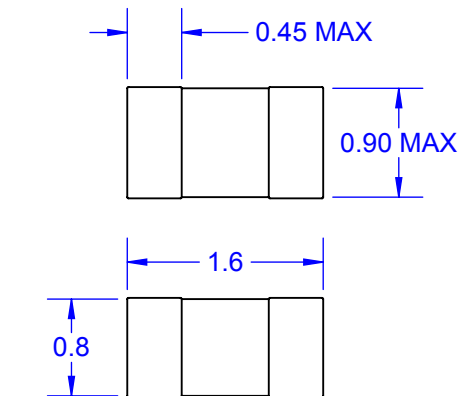
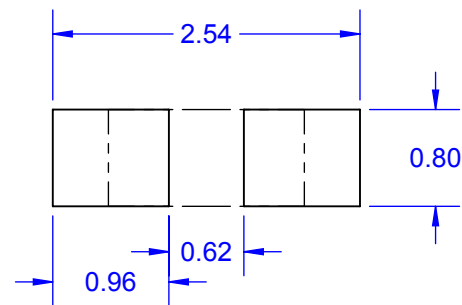
0508 PC BOARD PATTERN



0508 CAPACITOR OUTLINE



0508
MODEL



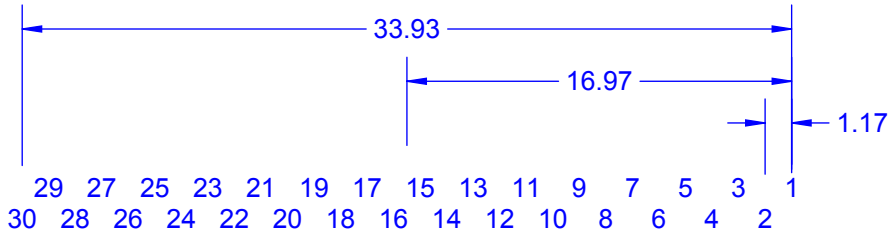
0603
MODEL

0603 PC BOARD PATTERN

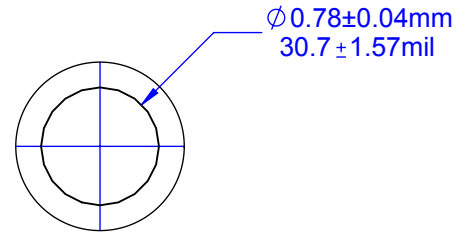
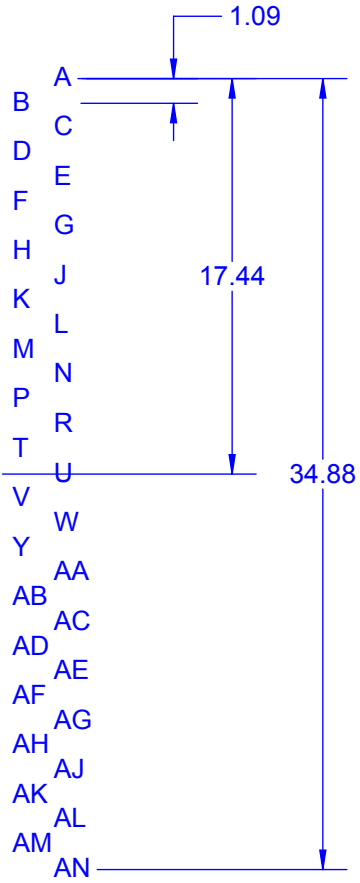
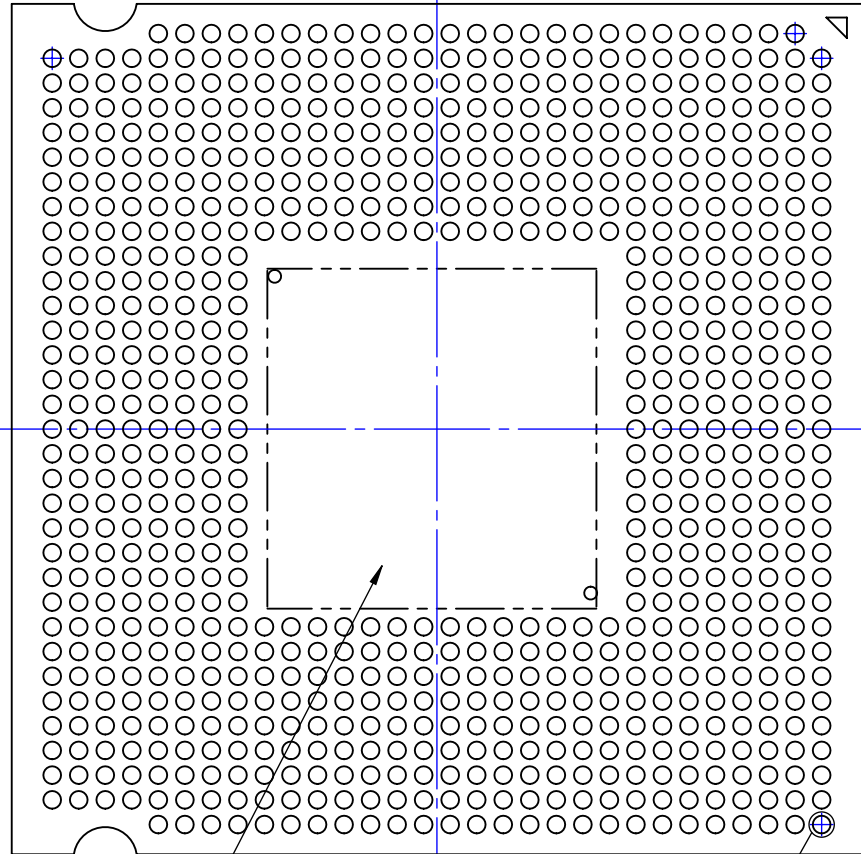
0603 CAPACITOR OUTLINE

TopLine®			
TITLE LGA771T-30x33F LAND GRID ARRAY			
SCALE 16:1	SIZE A	DRAWING NO. 160411	REV A
DO NOT SCALE DRAWING			SHEET 2 OF 8

BOTTOM VIEW



NOTES:
Pitch 1.17mm (46.06 mil) - Pad Matrix 30
Pitch 1.09mm (42.91 mil) - Pad Matrix 33



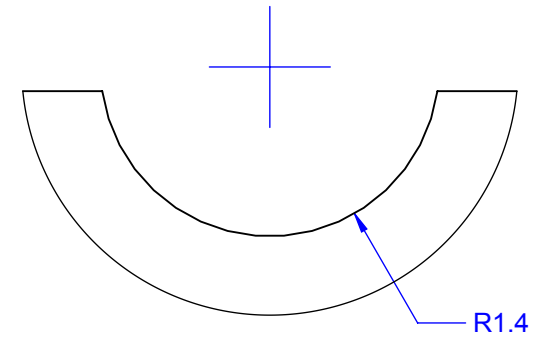
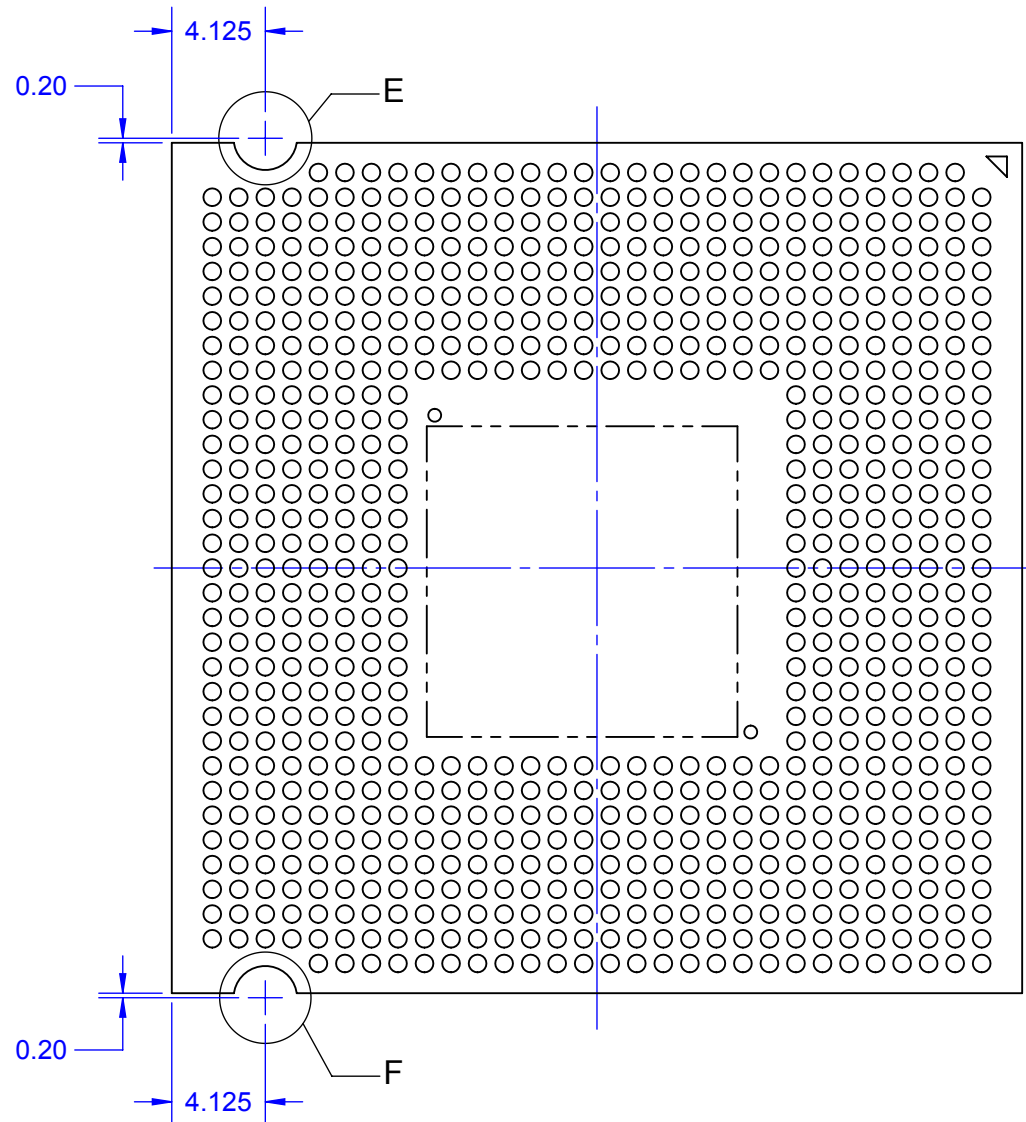
DETAIL C
SCALE 20 : 1

SEE DETAIL B /
CAPACITOR PADS

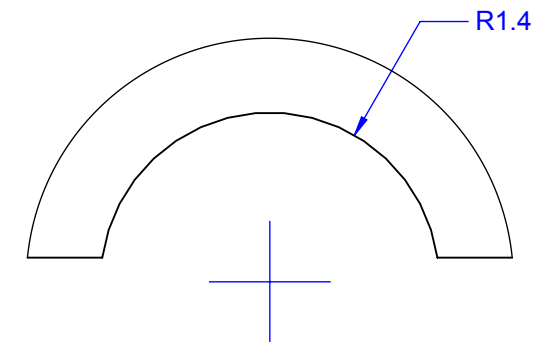
SEE DETAIL C

TopLine[®]			
TITLE LGA771T-30x33F LAND GRID ARRAY			
SCALE 3:1	SIZE A	DRAWING NO. 160411	REV A
DO NOT SCALE DRAWING			SHEET 3 OF 8

BOTTOM VIEW

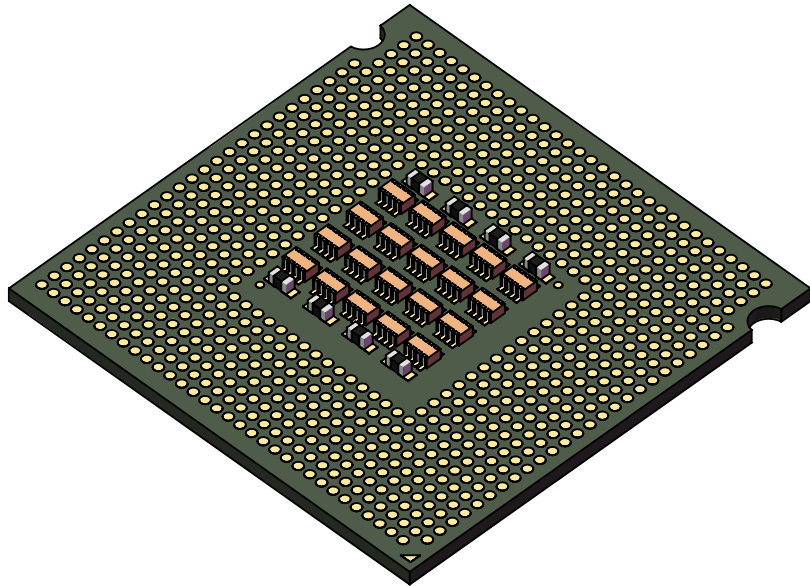


DETAIL E
SCALE 16 : 1

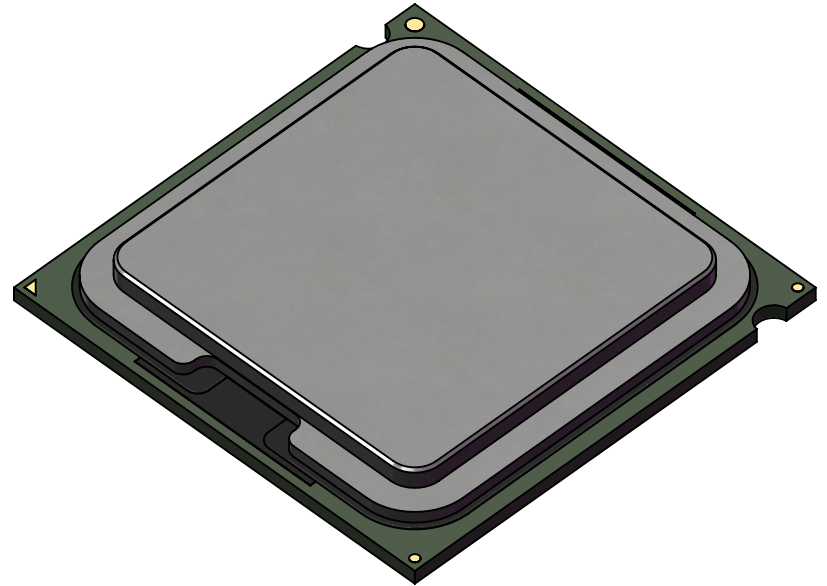


DETAIL F
SCALE 16 : 1

TopLine[®]			
TITLE		LGA771T-30x33F LAND GRID ARRAY	
SCALE	SIZE	DRAWING NO.	REV
3:1	A	160411	A
DO NOT SCALE DRAWING			SHEET 5 OF 8



MODEL BOTTOM SIDE



MODEL TOP SIDE

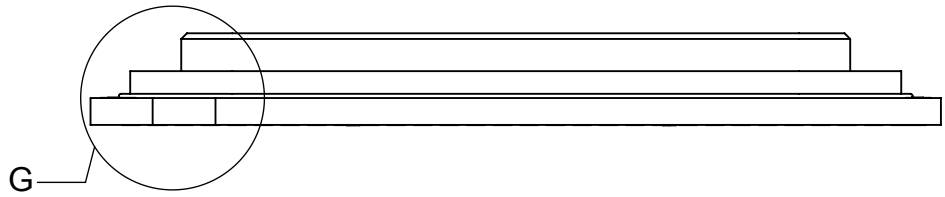
TopLine®

TITLE LGA771T-30x33F
LAND GRID ARRAY

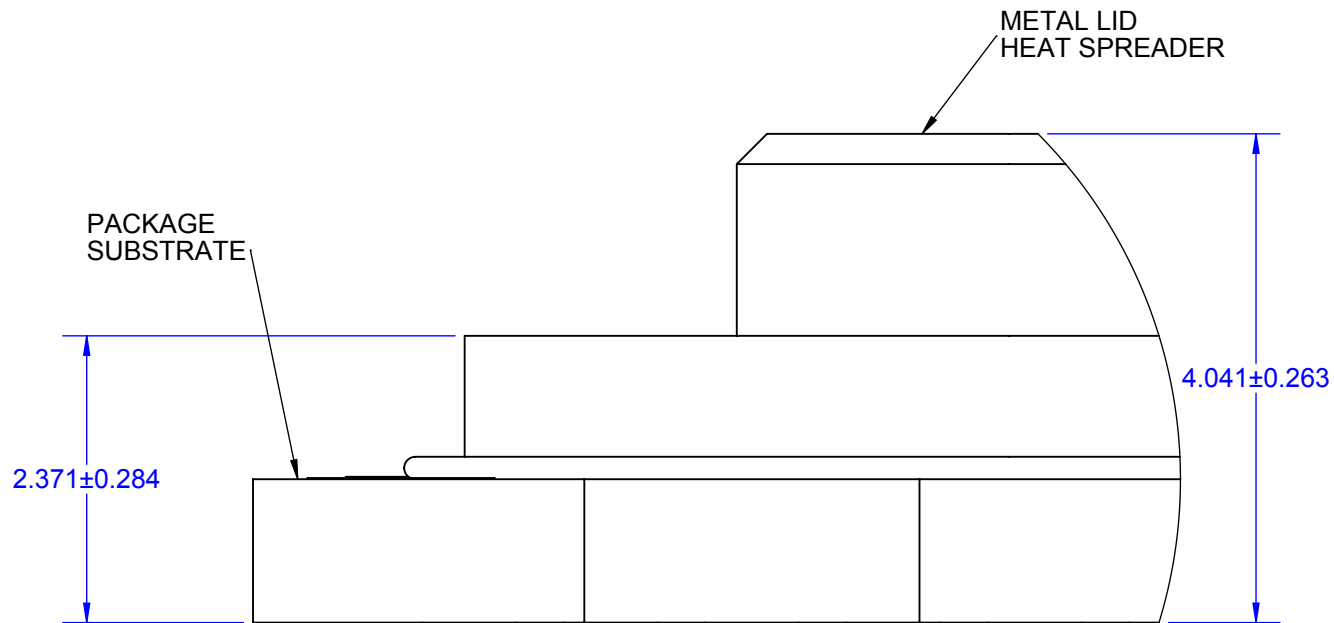
SCALE 2:1	SIZE A	DRAWING NO. 160411	REV A
--------------	-----------	-----------------------	----------

DO NOT SCALE DRAWING

SHEET 6 OF 8

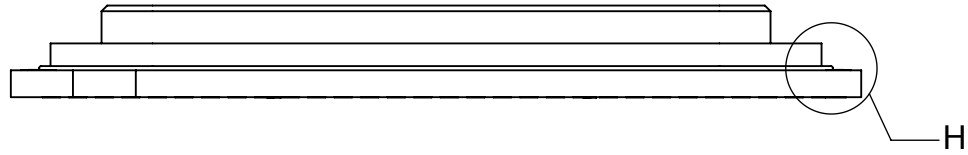


FRONT VIEW

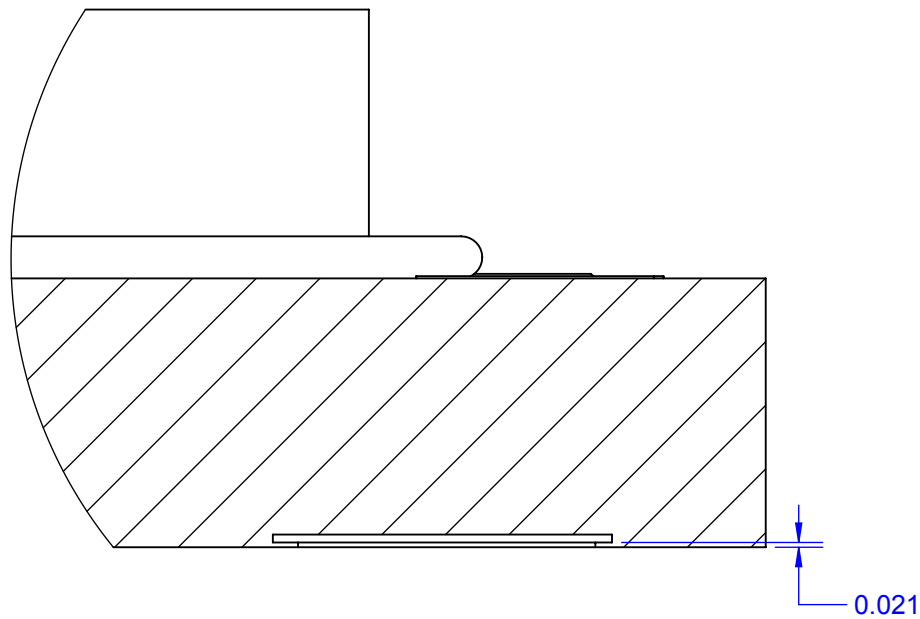


**DETAIL G
SCALE 16 : 1**

TopLine[®]			
TITLE		LGA771T-30x33F LAND GRID ARRAY	
SCALE	SIZE	DRAWING NO.	REV
2:1	A	160411	A
DO NOT SCALE DRAWING			SHEET 7 OF 8



FRONT VIEW



DETAIL H
SCALE 30 : 1

TopLine[®]			
TITLE		LGA771T-30x33F LAND GRID ARRAY	
SCALE	SIZE	DRAWING NO.	REV
3:1	A	160411	A
DO NOT SCALE DRAWING			SHEET 8 OF 8