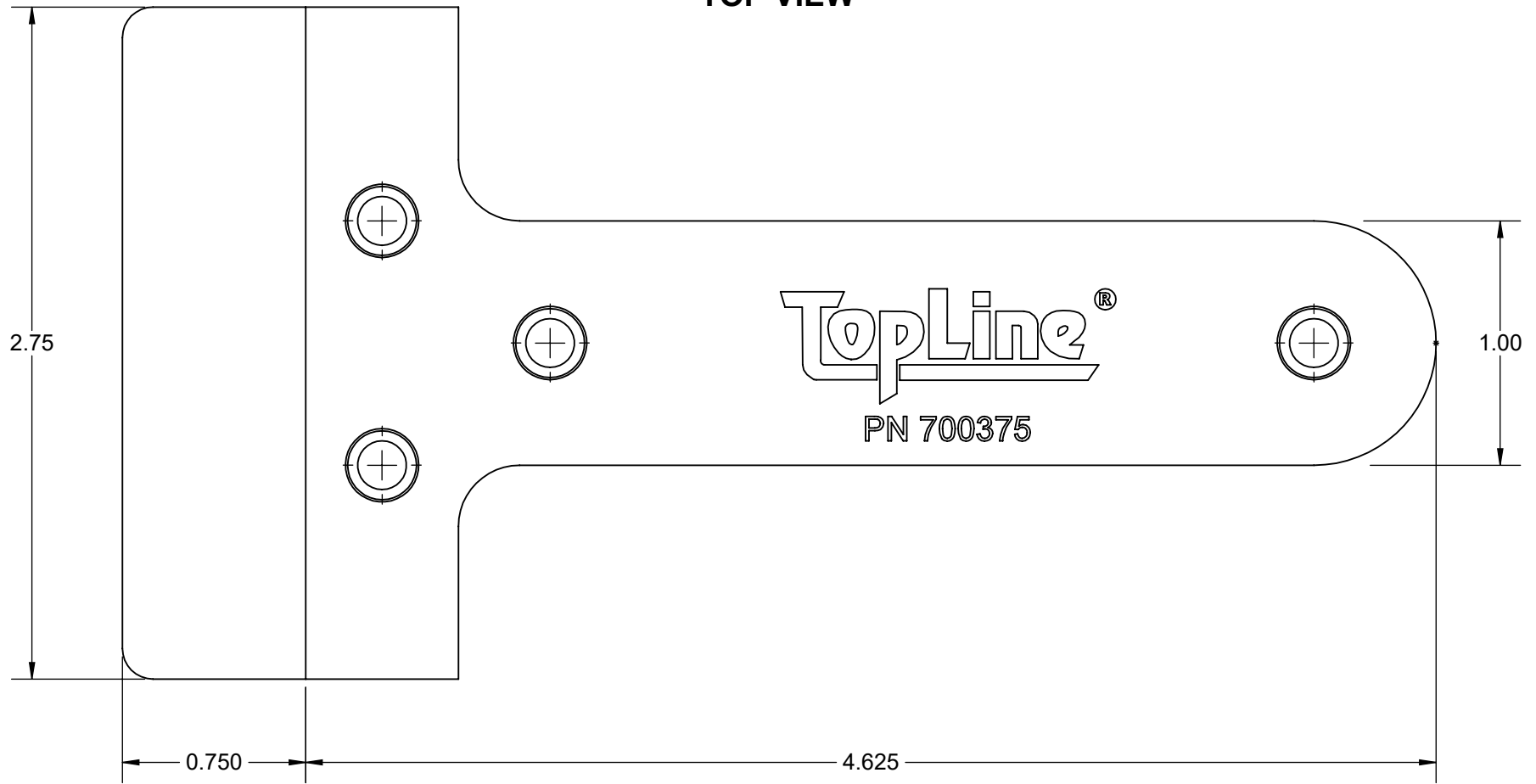
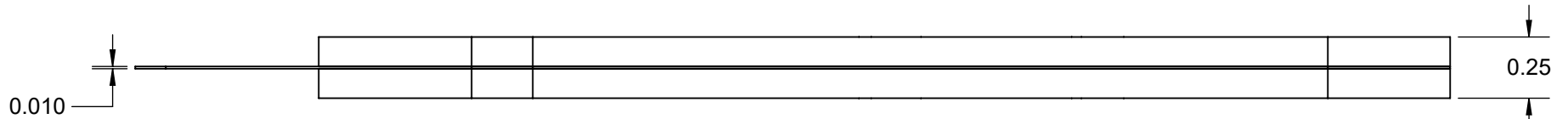


TOP VIEW



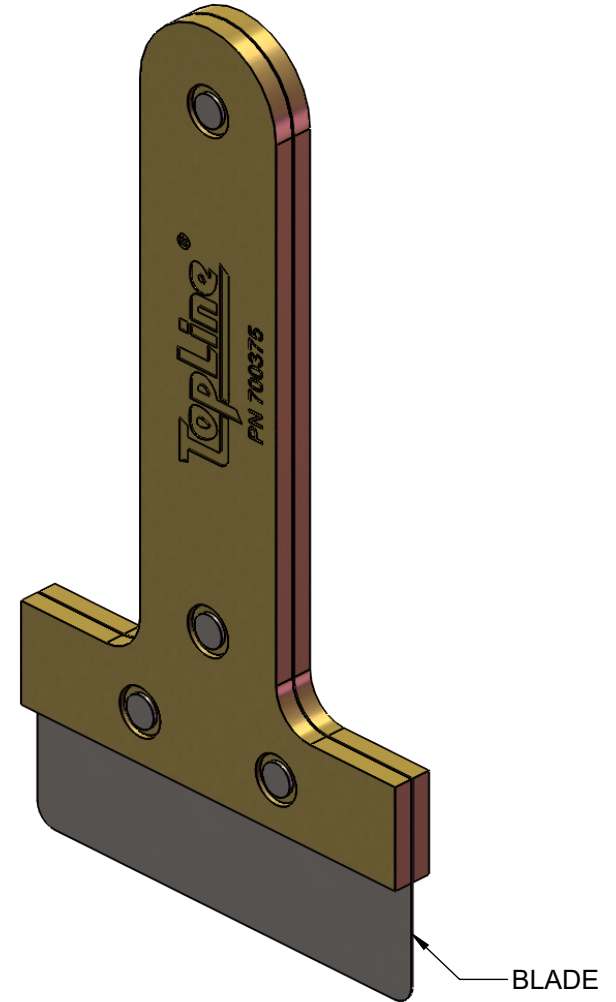
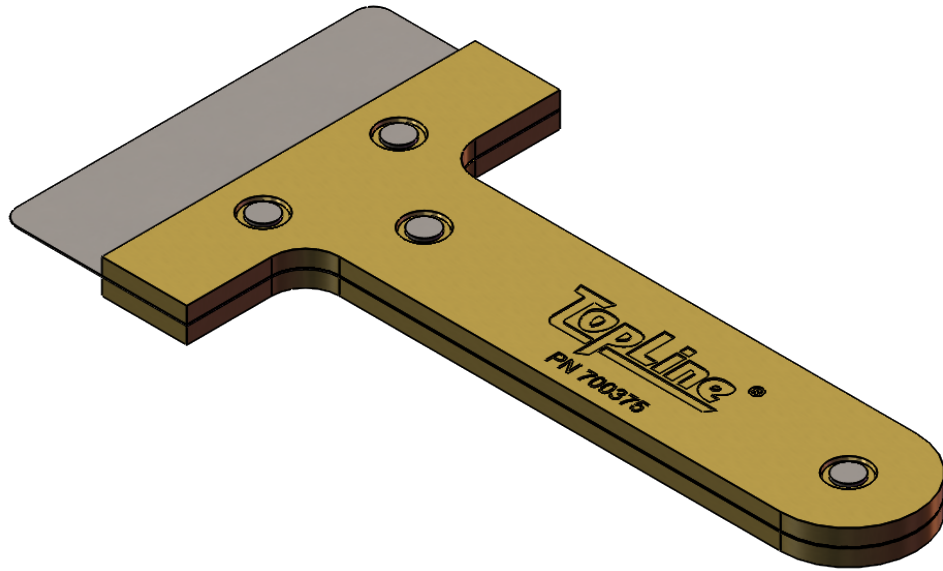
SIDE VIEW



NOTES:
1. DIMENSIONS INCHES.

TopLine®			
TITLE		C7-SQUEEGEE-70B 2.75" (70mm) BLADE	
SCALE	SIZE	DRAWING NO.	REV
3:2	A	700375	A
DO NOT SCALE DRAWING			SHEET 2 OF 3

MODELS



TopLine®			
TITLE		C7-SQUEEGEE-70B 2.75" (70mm) BLADE	
SCALE	SIZE	DRAWING NO.	REV
1:1	A	700375	A
DO NOT SCALE DRAWING			SHEET 3 OF 3