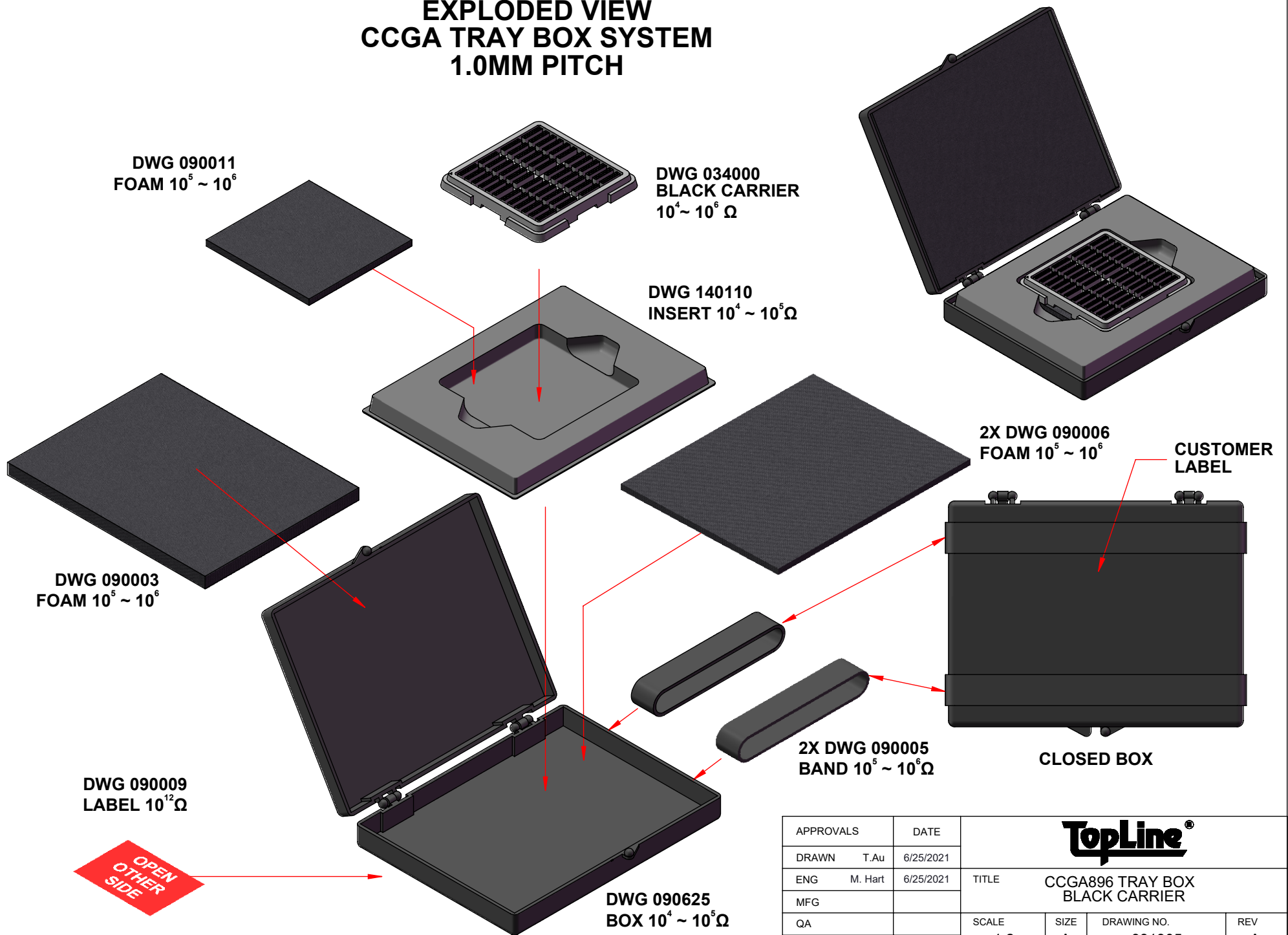


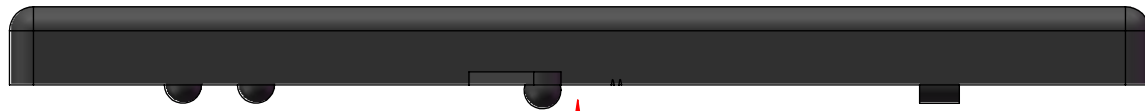
# EXPLODED VIEW CCGA TRAY BOX SYSTEM 1.0MM PITCH



|             |           |   |      |             |               |
|-------------|-----------|---|------|-------------|---------------|
| APPROVALS   | DATE      | <b>TopLine®</b>                         |      |             |               |
| DRAWN T. Au | 6/25/2021 |   |      |             |               |
| ENG M. Hart | 6/25/2021 | TITLE CCGA896 TRAY BOX<br>BLACK CARRIER |      |             |               |
| MFG         |           | SCALE                                   | SIZE | DRAWING NO. | REV           |
| QA          |           | 1:2                                     | A    | 931305      | A             |
| CUST        |           | DO NOT SCALE DRAWING                    |      |             | SHEET 1 OF 13 |
| REVISED     |           |   |      |             |               |

**EXPLODED SIDE VIEW  
PITCH 1.0mm**

CUSTOMER LABEL



DWG 090625 BOX TOP



DWG 090003 FOAM (LOW PROFILE CCGA)  
DWG 090006 FOAM (HIGH PROFILE CCGA)



CCGA COMPONENT



DWG 034000 CARRIER



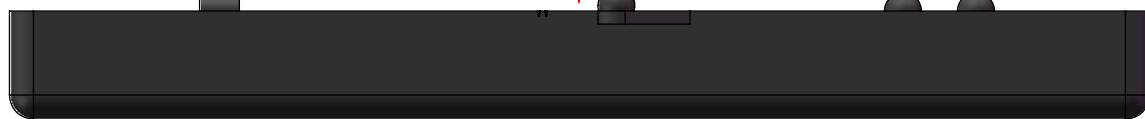
DWG 090011 FOAM (OPTIONAL LOW PROFILE CCGA)



DWG 140110 INSERT



DWG 090006 FOAM  
2X - LOW PROFILE CCGA  
1X - HIGH PROFILE CCGA



DWG 090625  
BOX BOTTOM

DWG 090009 LABEL

**TopLine®**

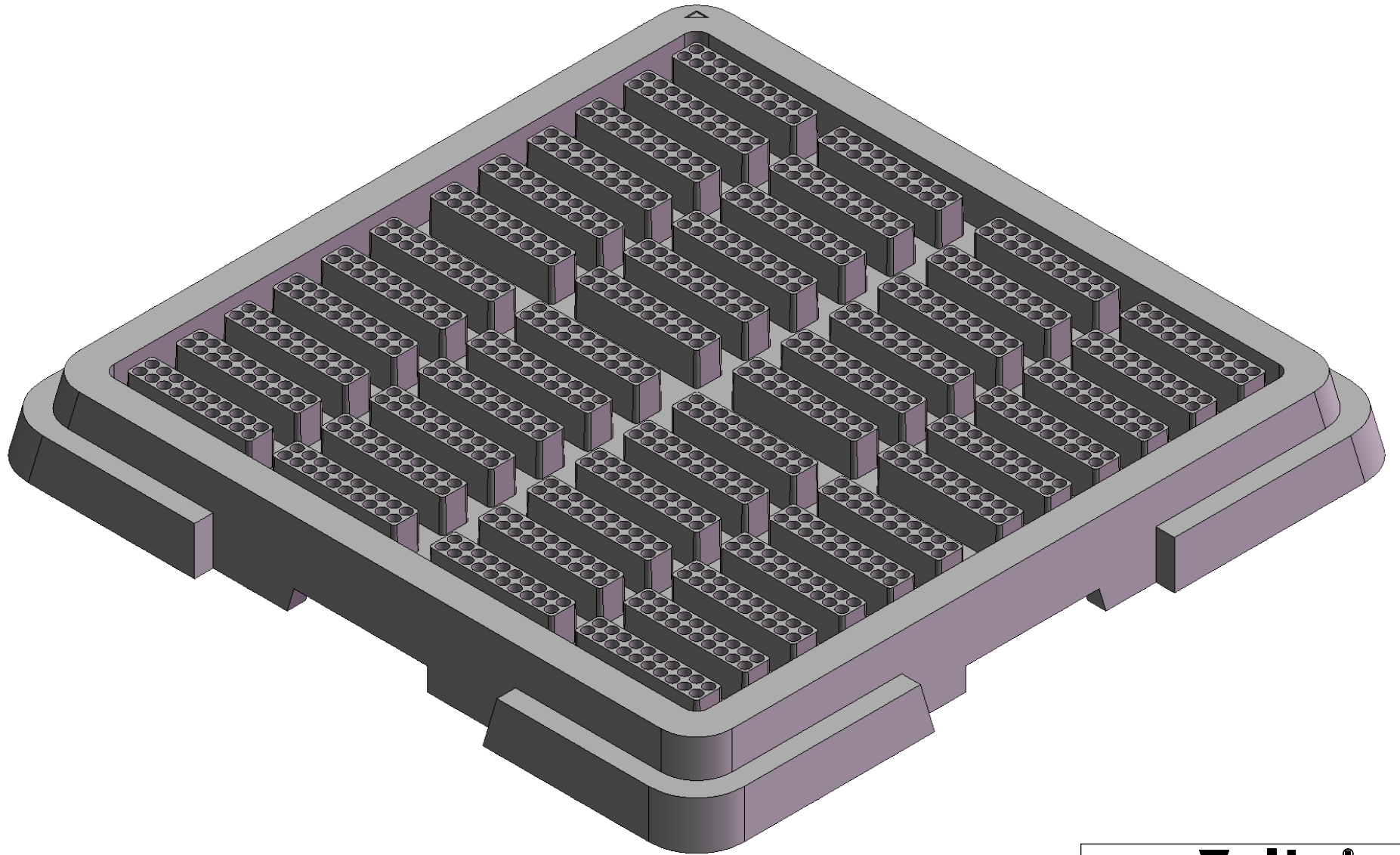
TITLE CCGA896 TRAY BOX  
BLACK CARRIER

|              |           |                       |          |
|--------------|-----------|-----------------------|----------|
| SCALE<br>1:2 | SIZE<br>A | DRAWING NO.<br>931305 | REV<br>A |
|--------------|-----------|-----------------------|----------|

DO NOT SCALE DRAWING

SHEET 2 OF 13

MODEL  
TOP



**TopLine®**

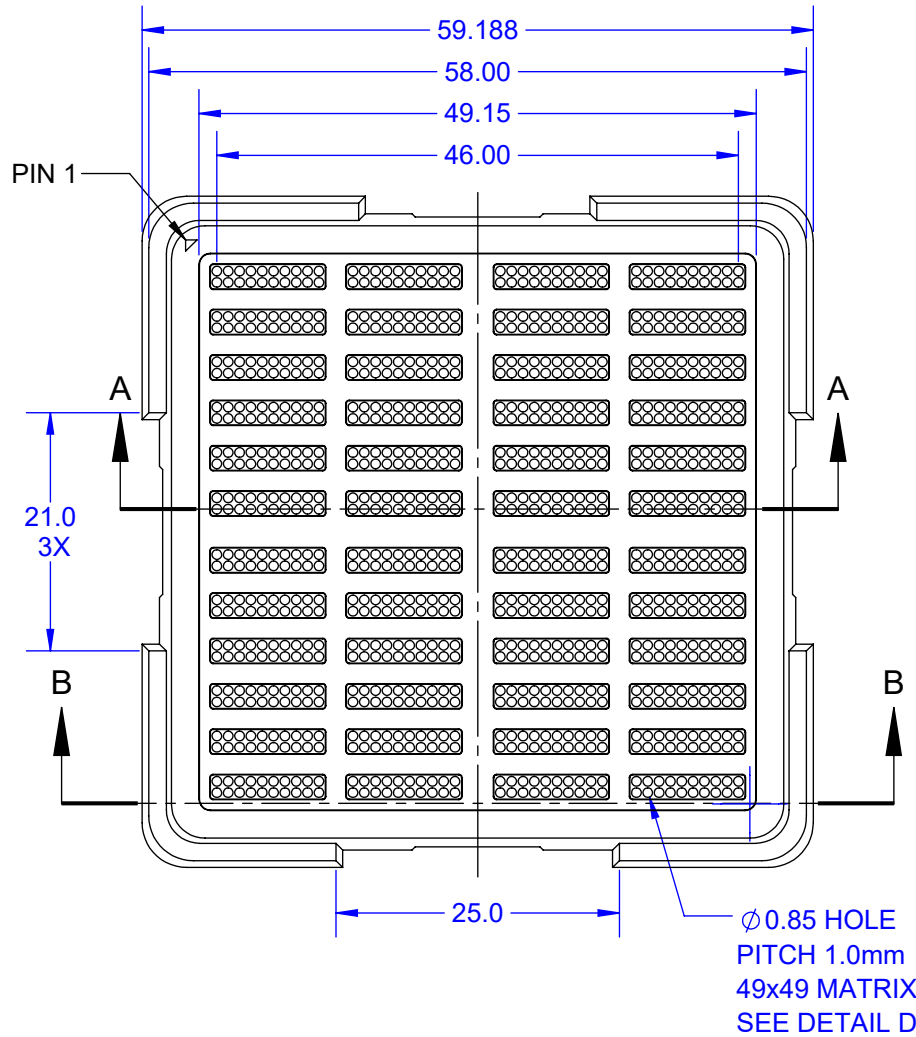
TITLE CCGA896 TRAY BOX  
BLACK CARRIER

|              |           |                       |          |
|--------------|-----------|-----------------------|----------|
| SCALE<br>3:1 | SIZE<br>A | DRAWING NO.<br>931305 | REV<br>A |
|--------------|-----------|-----------------------|----------|

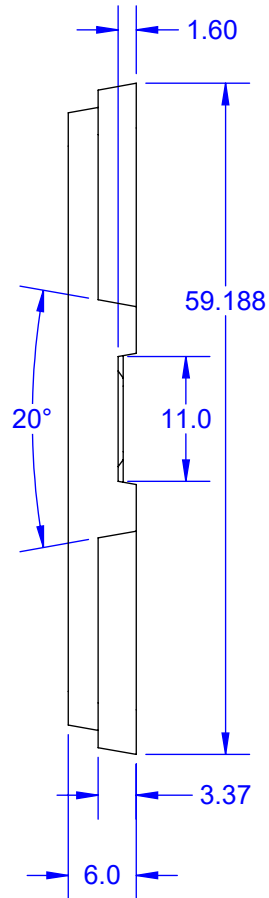
DO NOT SCALE DRAWING

SHEET 3 OF 13

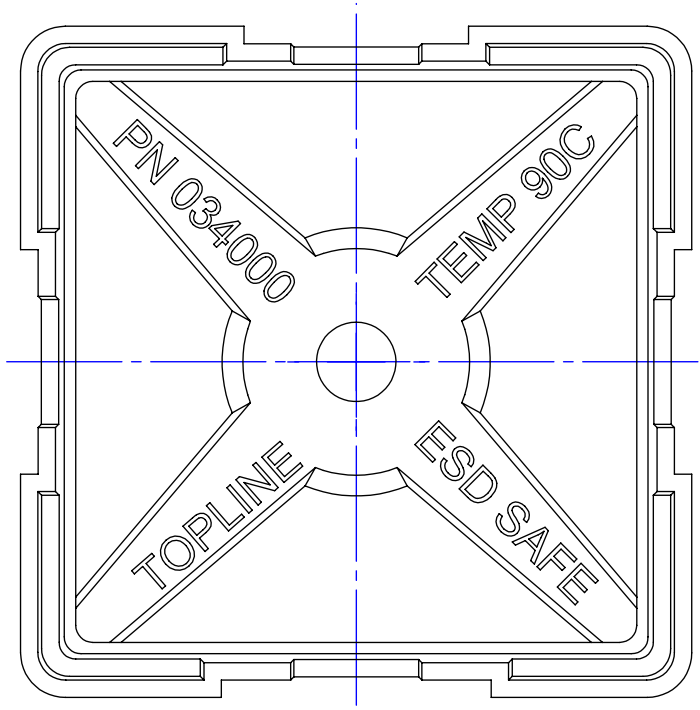
**TOP**



**SIDE**

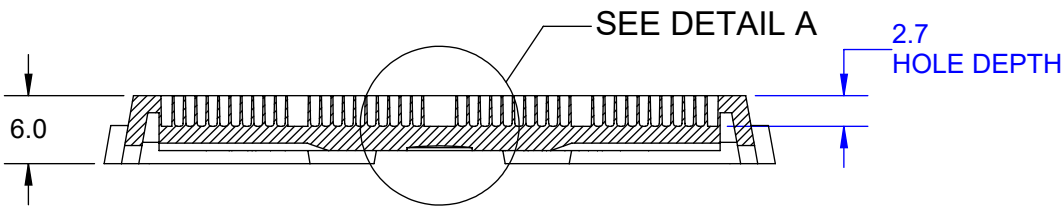


**BOTTOM**



**NOTES:**

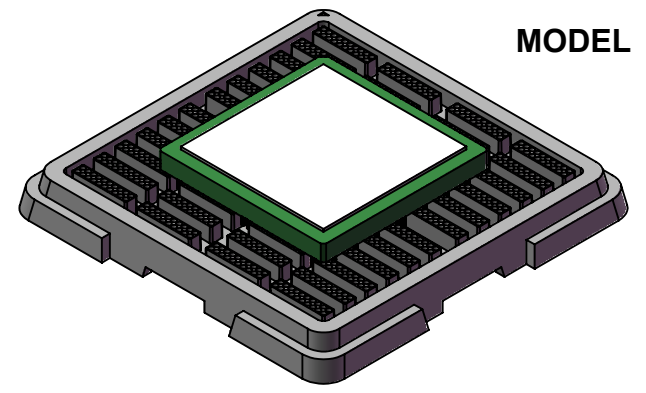
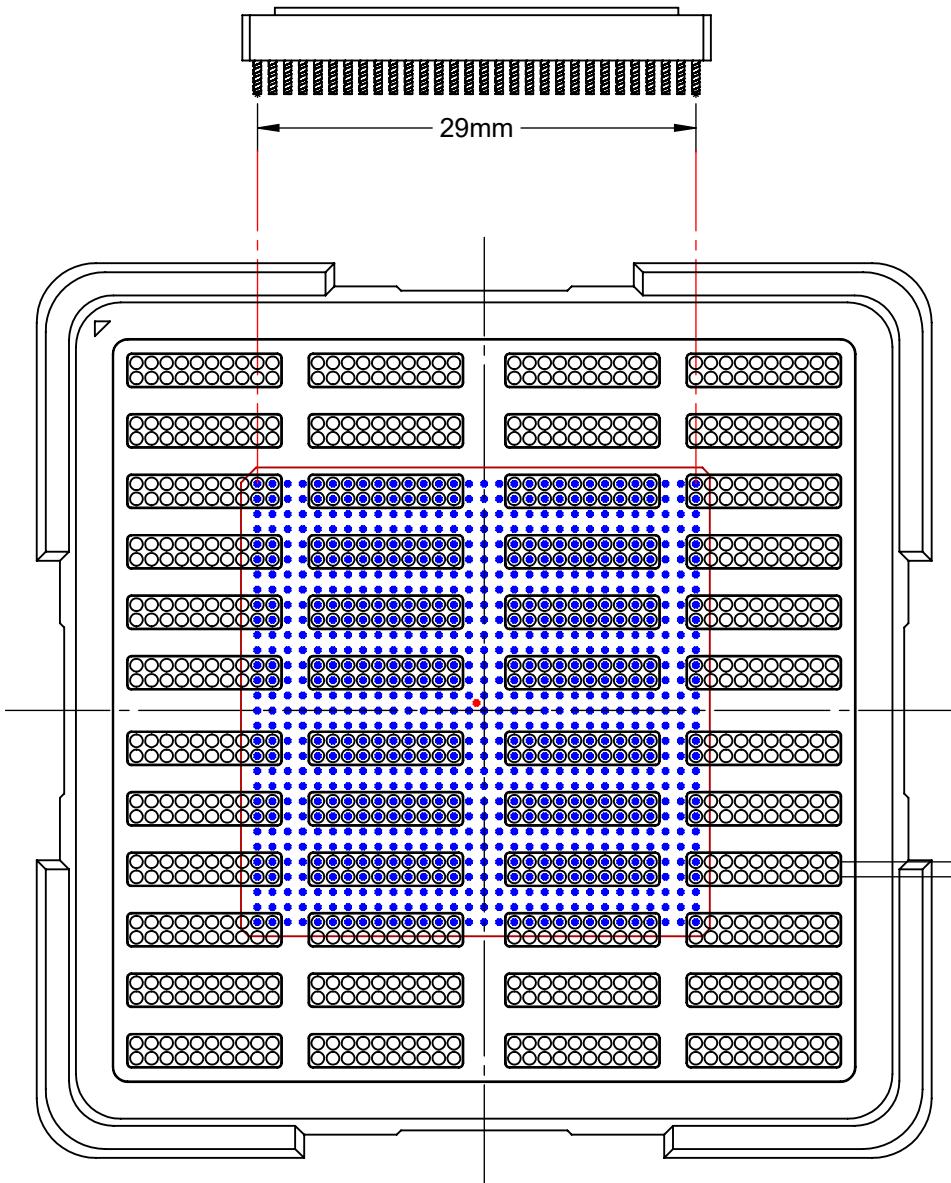
1. DIMENSION MM.
2. MATERIAL: CONDUCTIVE POLYCARBONATE.
3. TEMPERATURE 90°C MAX.
4. COLOR: BLACK.
5. PERMANENT ESD SAFE  
SURFACE RESISTIVITY  $10^4 \sim 10^6 \Omega$ .



**SECTION A-A**

|             |           |   |      |             |               |
|-------------|-----------|---|------|-------------|---------------|
| APPROVALS   | DATE      | <b>TopLine®</b>                         |      |             |               |
| DRAWN T. Au | 9/17/2021 |   |      |             |               |
| ENG M. Hart | 9/17/2021 | TITLE CCGA896 TRAY BOX<br>BLACK CARRIER |      |             |               |
| TOLERANCE   | MFG       | SCALE                                   | SIZE | DRAWING NO. | REV           |
| [X] MM      | QA        | 3:2                                     | A    | 931305      | A             |
| X.X = ±0.2  | CUST      | DO NOT SCALE DRAWING                    |      |             | SHEET 4 OF 13 |
| X.XX = ±0.1 | REVISED   |   |      |             |               |

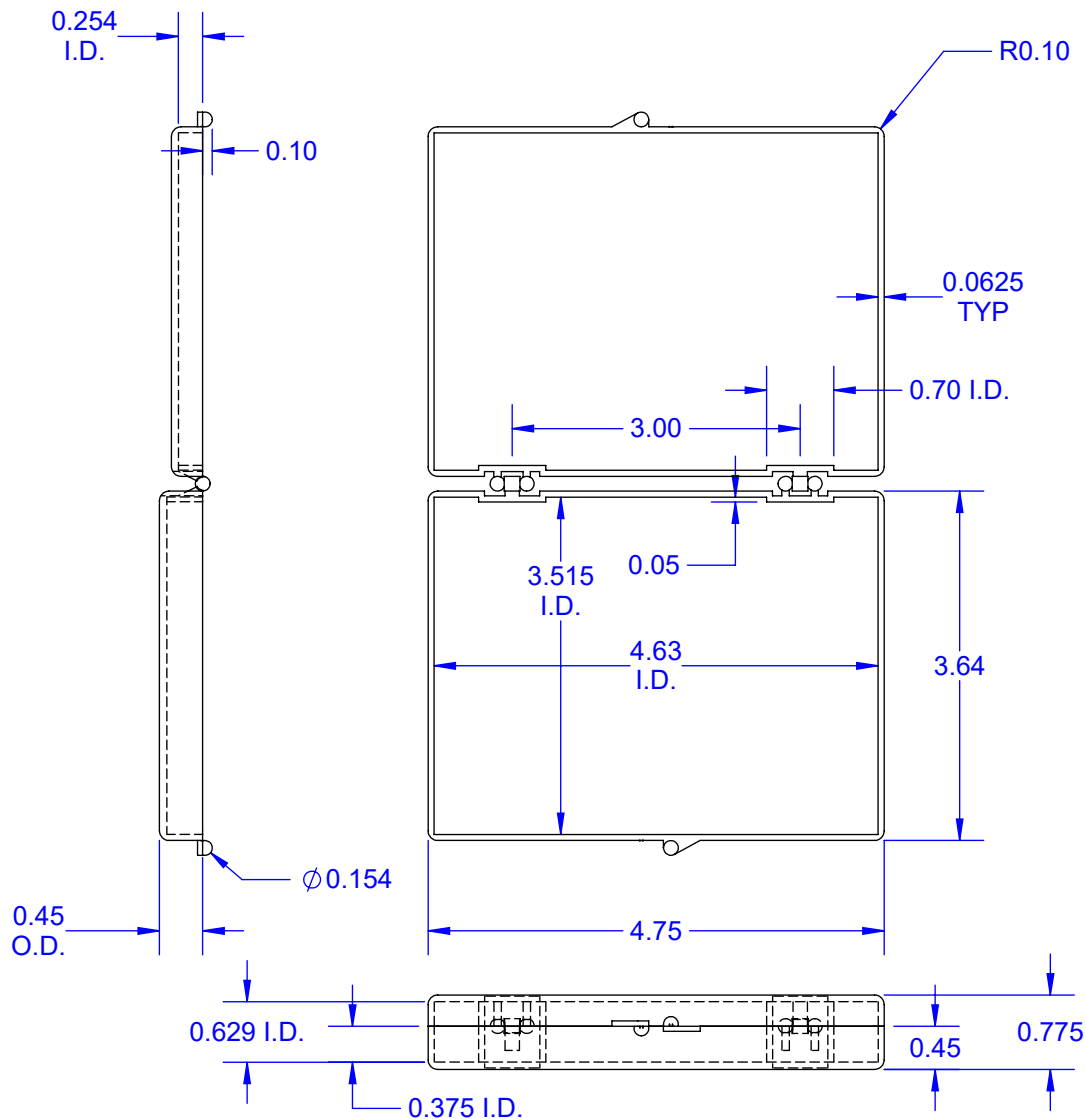
CCGA896  
 COLUMNS 30x30  
 31x31mm



PITCH  
 1.0mm TYP.

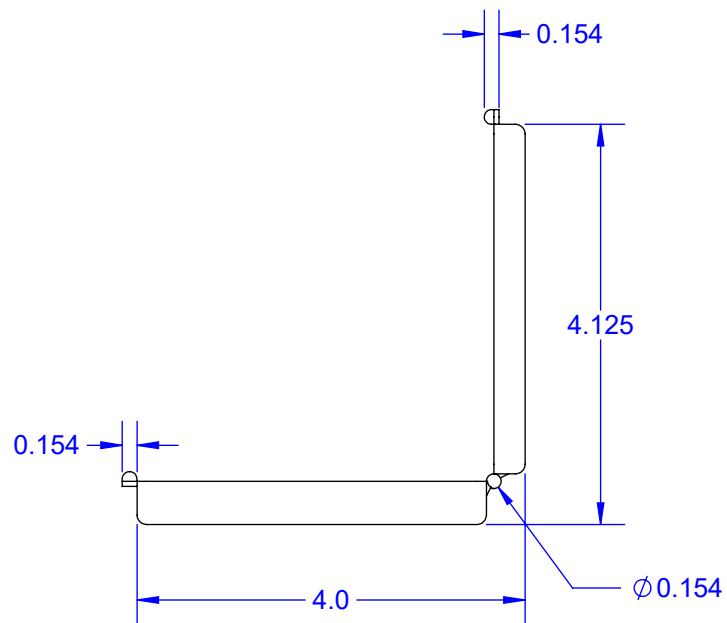
|                      |      |                                |               |
|----------------------|------|--------------------------------|---------------|
| <b>TopLine®</b>      |      |                                |               |
| TITLE                |      | CCGA896 CARRIER<br>PITCH 1.0MM |               |
| SCALE                | SIZE | DRAWING NO.                    | REV           |
| 2:1                  | A    | 034000                         | B             |
| DO NOT SCALE DRAWING |      |                                | SHEET 5 OF 18 |

**TOP (OPEN)**



**FRONT (CLOSED)**

**SIDE VIEW (OPEN)**



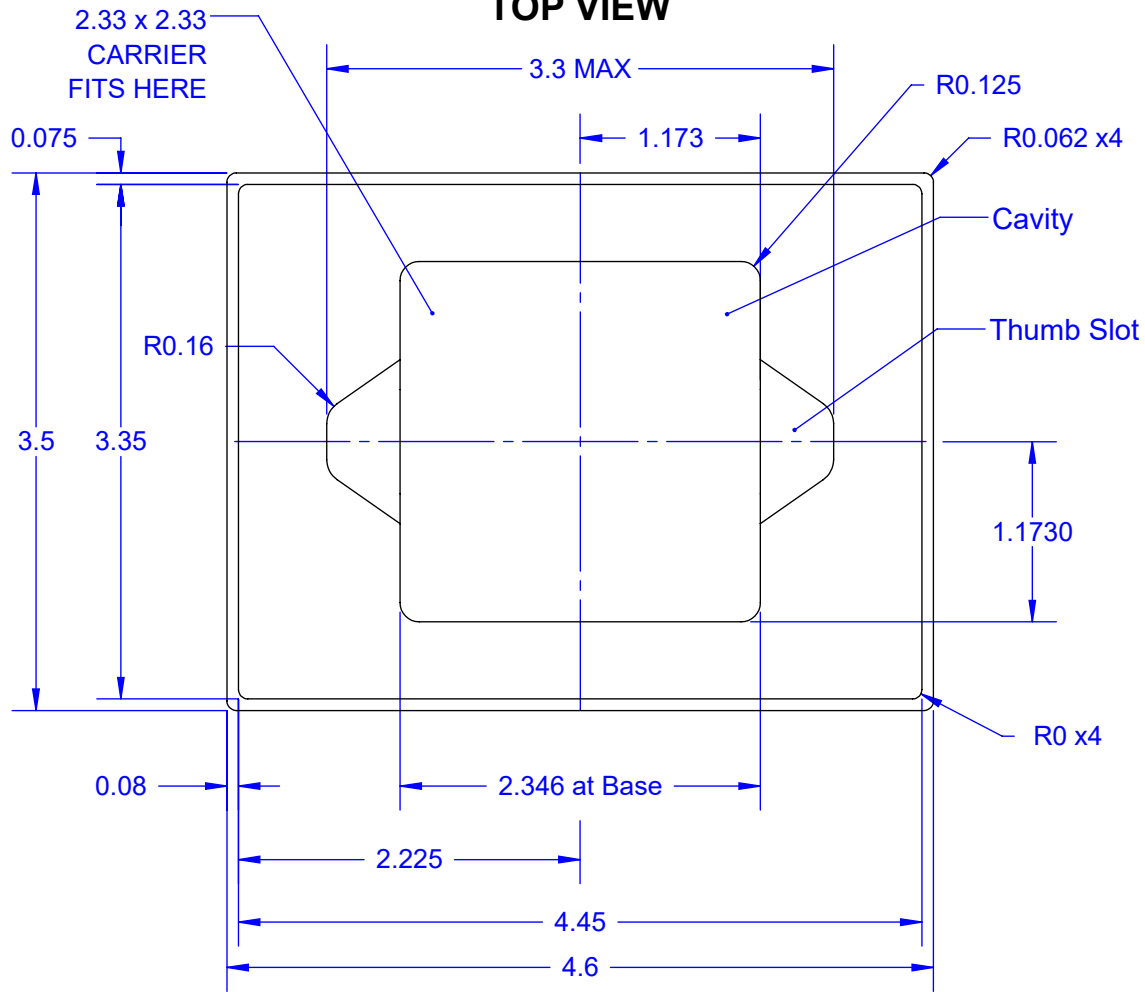
**MODEL**

Notes: (Unless Otherwise Specified).

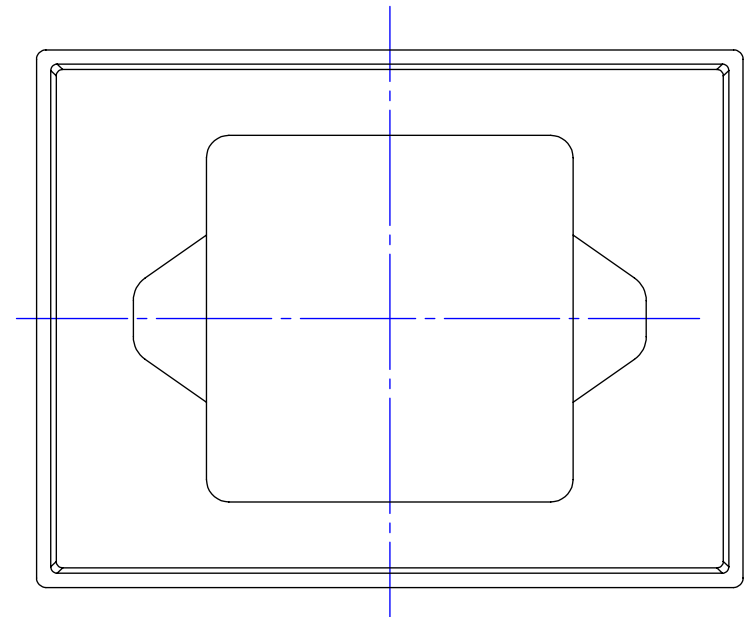
- 1) SURFACE RESISTIVITY:  $10^4 \sim 10^5 \Omega$ .
- 2) MATERIAL: CARBON FILLED POLYPROPYLENE.
- 3) DIMENSIONS IN INCHES.

|                      |      |                             |               |
|----------------------|------|-----------------------------|---------------|
| <b>TopLine®</b>      |      |                             |               |
| TITLE                |      | EC1-15mm<br>EMPTY HINGE BOX |               |
| SCALE                | SIZE | DRAWING NO.                 | REV           |
| 1:2                  | A    | 090625                      | A             |
| DO NOT SCALE DRAWING |      |                             | SHEET 6 OF 13 |

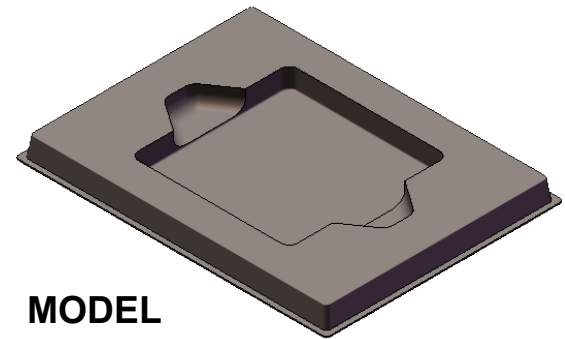
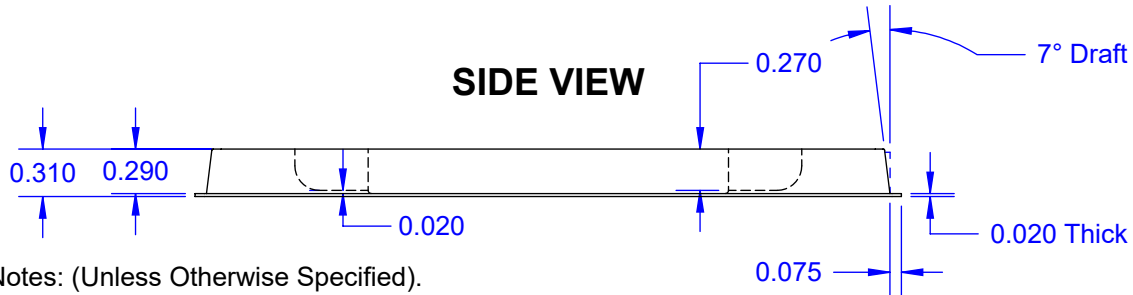
### TOP VIEW



### BOTTOM VIEW



### SIDE VIEW



MODEL

Notes: (Unless Otherwise Specified).

- 1) DIMENSIONS: INCHES.
- 2) MATERIAL: CONDUCTIVE STYRENE.
- 3) SURFACE RESISTIVITY <math>< 10^4 \Omega</math>.

**TopLine®**

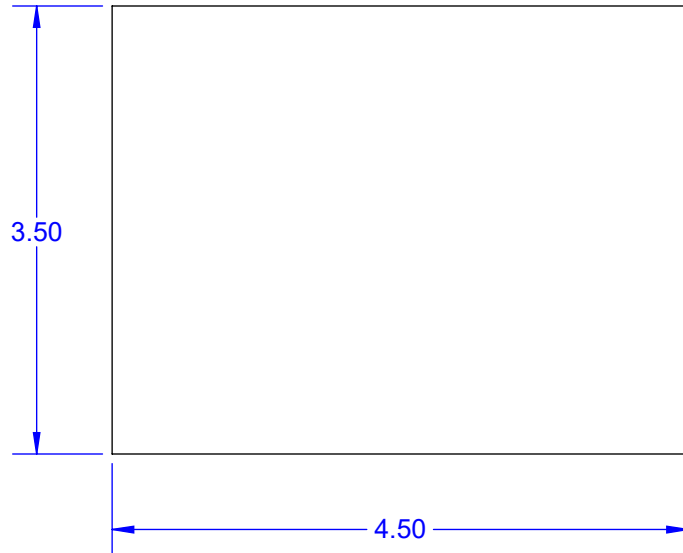
TITLE CCGA TRAY INSERT  
FOR 4.625 x 3.5 HINGE BOX

| SCALE | SIZE | DRAWING NO. | REV |
|-------|------|-------------|-----|
| 2:2.5 | A    | 140110      | A   |

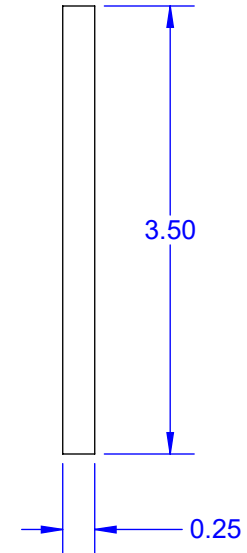
DO NOT SCALE DRAWING

SHEET 7 OF 13

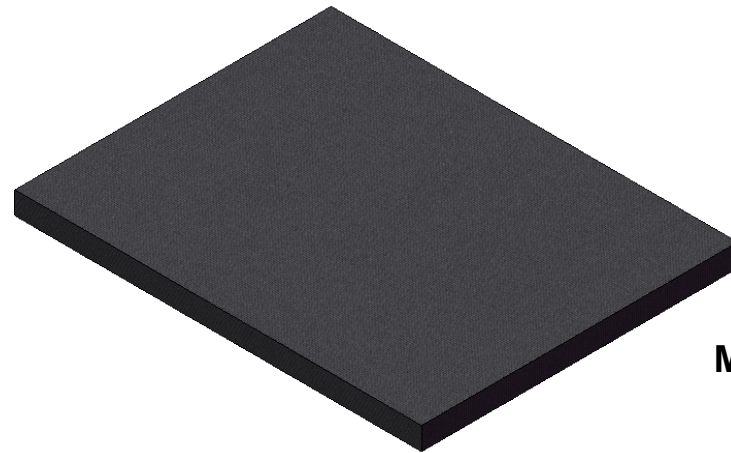
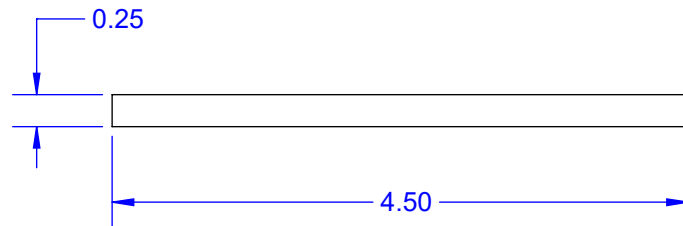
**TOP**



**EDGE**



**SIDE**



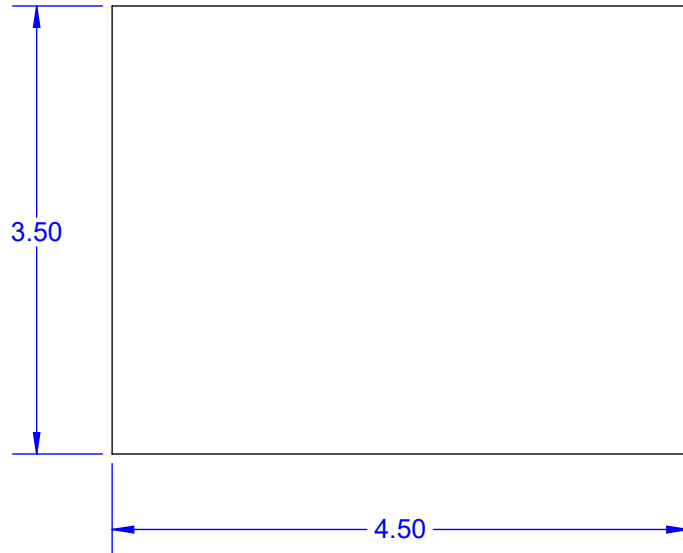
**MODEL**

- Notes: (Unless Otherwise Specified).
- 1) SURFACE RESISTIVITY:  $10^5 \sim 10^6 \Omega$
  - 3) DENSITY 1.7 PFC Min.
  - 4) DIMENSIONS IN INCHES.

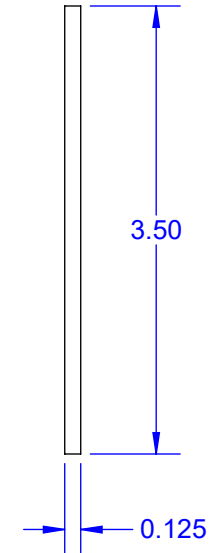
|                      |      |   |               |
|----------------------|------|---|---------------|
| <b>TopLine®</b>      |      |   |               |
| TITLE                |      | EC1-FOAM-SOFT-.25-A<br>LOW DENSITY FOAM |               |
| SCALE                | SIZE | DRAWING NO.                             | REV           |
| 1:1.5                | A    | 090003                                  | A             |
| DO NOT SCALE DRAWING |      |   | SHEET 8 OF 13 |



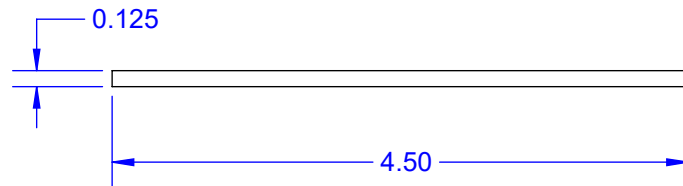
### TOP



### EDGE



### SIDE

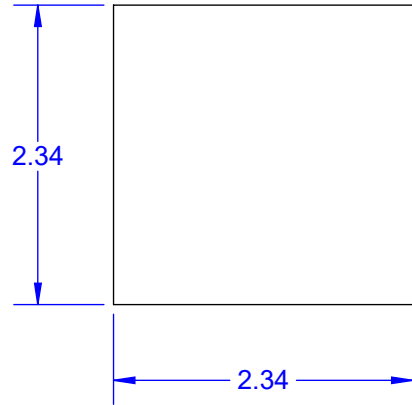


### MODEL

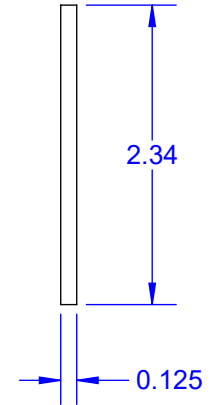
- Notes: (Unless Otherwise Specified).
- 1) SURFACE RESISTIVITY:  $10^5 \sim 10^6 \Omega$
  - 3) DENSITY 1.7 PFC Min.
  - 4) DIMENSIONS IN INCHES.

|   |      |             |               |
|---|------|-------------|---------------|
| <b>TopLine®</b>                                   |      |             |               |
| TITLE    EC1-FOAM-SOFT-.125-A<br>LOW DENSITY FOAM |      |             |               |
| SCALE   | SIZE | DRAWING NO. | REV           |
| 1:1.5   | A    | 090006      | A             |
| DO NOT SCALE DRAWING                              |      |             | SHEET 9 OF 13 |

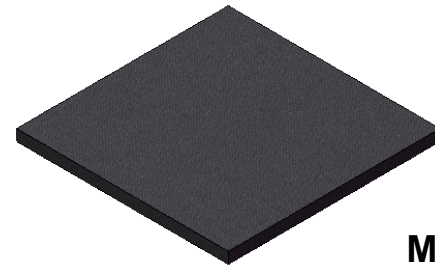
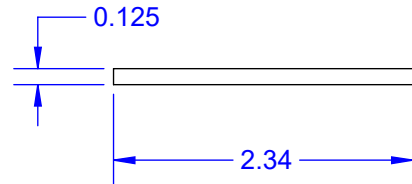
### TOP



### EDGE



### SIDE

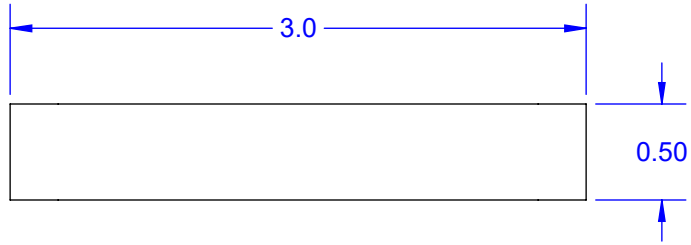


### MODEL

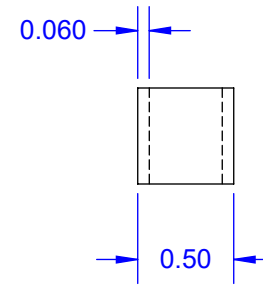
- Notes: (Unless Otherwise Specified).
- 1) SURFACE RESISTIVITY:  $10^5 \sim 10^6 \Omega$ .
  - 2) SOFT CONDUCTIVE FOAM.
  - 3) DENSITY 1.7 PFC Min.

|                            |      |                                     |                |
|----------------------------|------|-------------------------------------|----------------|
| <b>TopLine<sup>®</sup></b> |      |                                     |                |
| TITLE                      |      | LOW DENSITY FOAM<br>FOAM-SOFT-2.34A |                |
| SCALE                      | SIZE | DRAWING NO.                         | REV            |
| 1:1.5                      | A    | 090011                              | A              |
| DO NOT SCALE DRAWING       |      |                                     | SHEET 10 OF 13 |

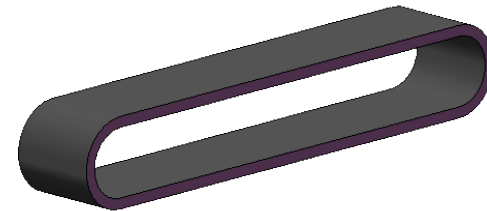
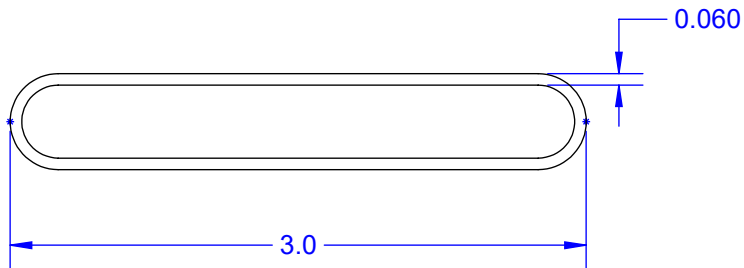
### TOP



### EDGE



### SIDE



### MODEL

Notes: (Unless Otherwise Specified).

1) SURFACE RESISTIVITY:  $10^5 \sim 10^6$ .

2) DIMENSIONS IN INCHES (RESTING POSITION).

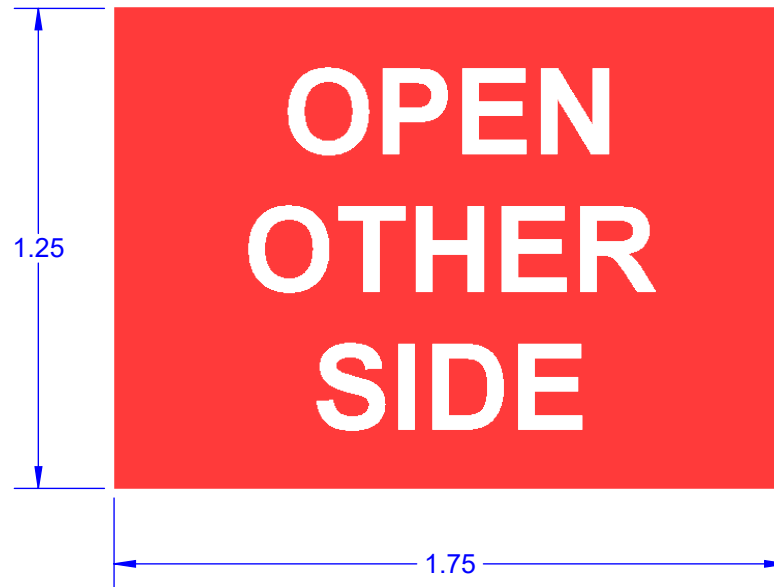
**TopLine**<sup>®</sup>

TITLE RUBBER BAND-3.0-C  
BLACK CONDUCTIVE

| SCALE | SIZE | DRAWING NO. | REV |
|-------|------|-------------|-----|
| 1:1   | A    | 090005      | A   |

DO NOT SCALE DRAWING

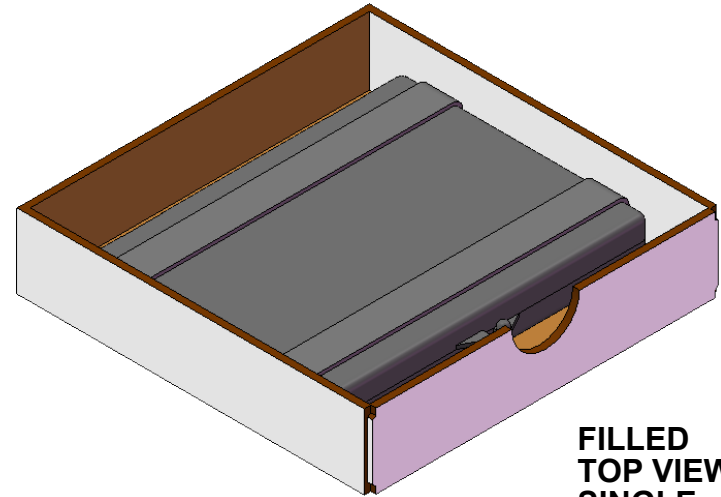
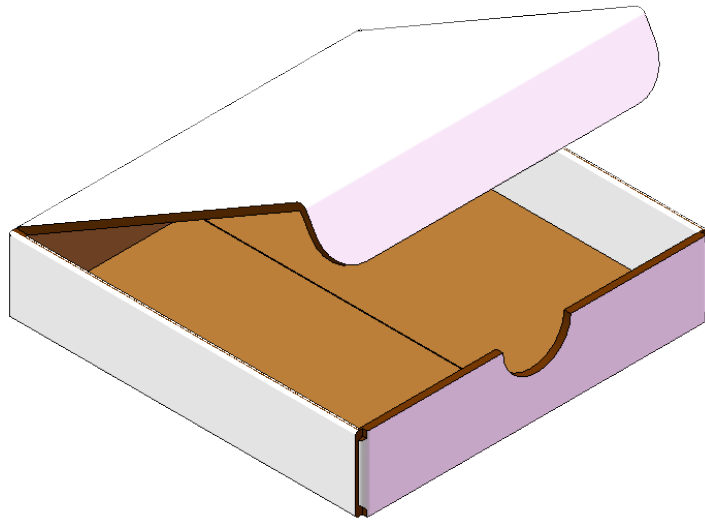
SHEET 11 OF 13



Notes: (Unless Otherwise Specified).

1. DIMENSIONS INCHES.
2. MATERIAL: PAPER LABEL WITH ADHESIVE.
3. COLOR: RED.
4. PURPOSE: IDENTIFY BOTTOM OF HINGE BOX.

|                      |      |                                  |                |
|----------------------|------|----------------------------------|----------------|
| <b>TopLine®</b>      |      |                                  |                |
| TITLE                |      | LABEL FOR<br>BOTTOM OF HINGE BOX |                |
| SCALE                | SIZE | DRAWING NO.                      | REV            |
| 2:1                  | A    | 090009                           | A              |
| DO NOT SCALE DRAWING |      |                                  | SHEET 12 OF 13 |



**FILLED  
TOP VIEW  
SINGLE**

Notes: (Unless Otherwise Specified).

1. DIMENSIONS INCHES.
2. MEASUREMENT INCLUDES RUBBER BANDS.
3. BOX SIZE SUBJECT TO CHANGE.

**TopLine®**

TITLE CCGA TRAY BOX CARRIER  
CARTON

|              |           |                       |          |
|--------------|-----------|-----------------------|----------|
| SCALE<br>1:2 | SIZE<br>A | DRAWING NO.<br>900001 | REV<br>A |
|--------------|-----------|-----------------------|----------|

DO NOT SCALE DRAWING

SHEET 13 OF 13