



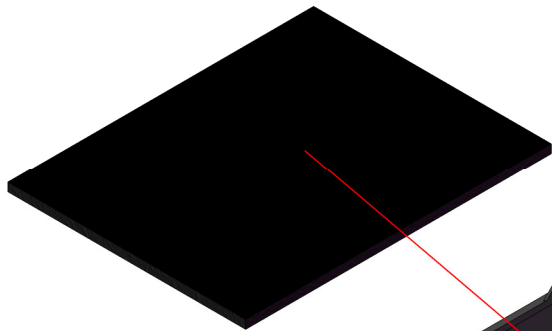
ESD Safe

EXPLODED VIEW

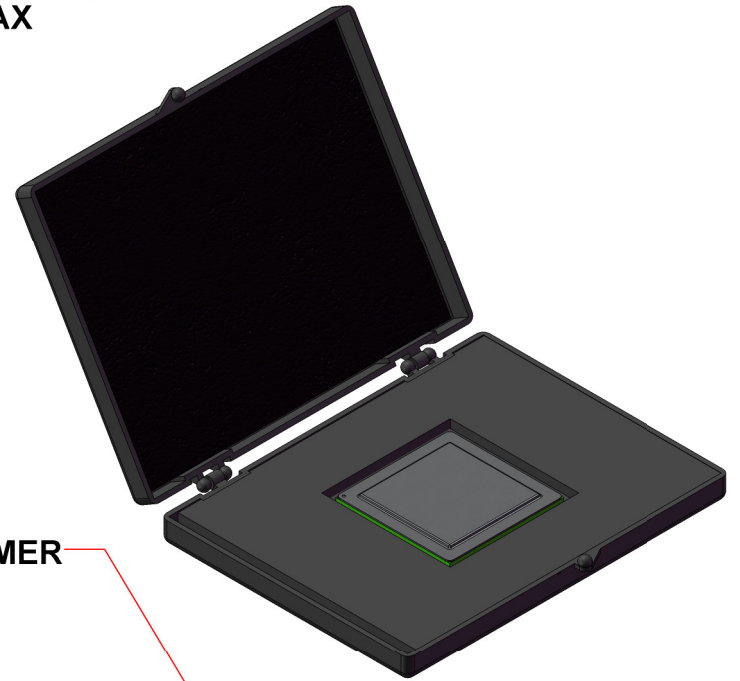
ANY LGA COMPONENT
47.5 x 47.5mm MAX

DWG 090014
FOAM 10⁵ ~ 10⁶

DWG 090002
FOAM FRAME
10⁵ ~ 10⁶



DWG 090006
2X FOAM 10⁵ ~ 10⁶



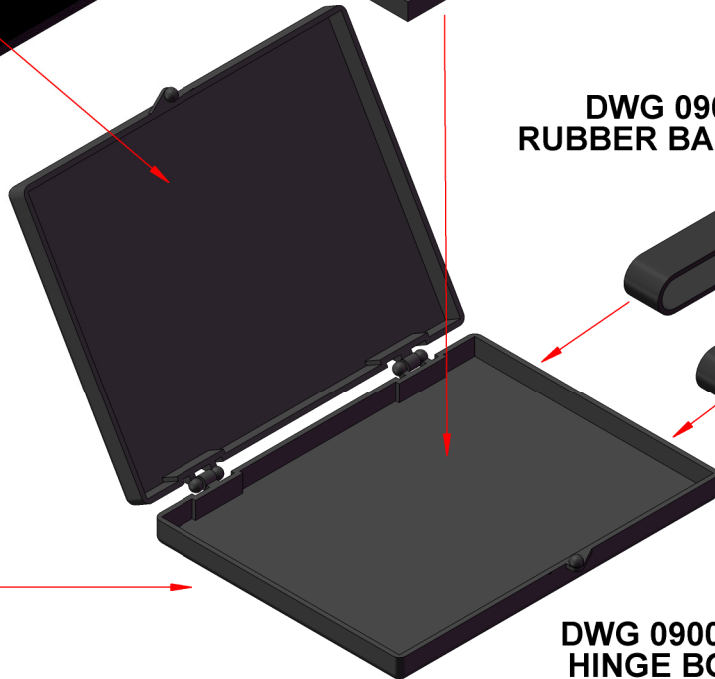
CUSTOMER LABEL

DWG 090005
RUBBER BANDS



CLOSED BOX

DWG 090009
BOTTOM LABEL



DWG 090000
HINGE BOX
10⁴ ~ 10⁵Ω

APPROVALS	DATE	TopLine®		
DRAWN T. Au	5/4/2018			
ENG M. Hart	5/4/2018	TITLE EC1-SET-LGA-47A BOX SET 47.5mm SQ MAX		
MFG		SCALE 1:2	SIZE A	DRAWING NO. 920000
QA				REV A
CUST				
REVISED		DO NOT SCALE DRAWING		SHEET 1 OF 9

LABEL PLACEMENT

CUSTOMER LABEL

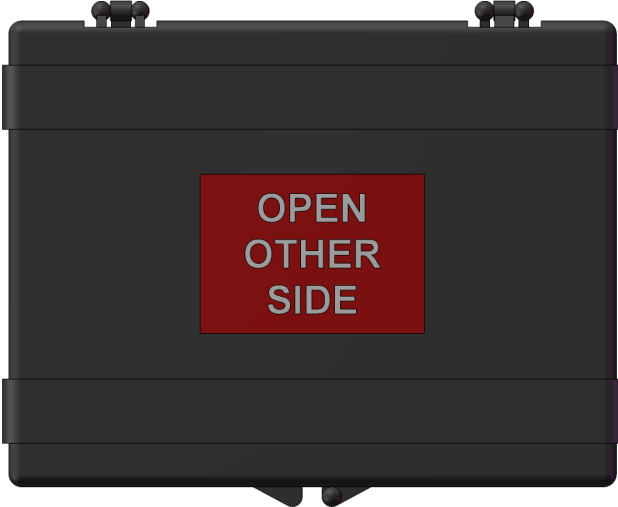


RUBBER BAND
2 PLACES

FRONT VIEW



DWG 090009
BOTTOM LABEL

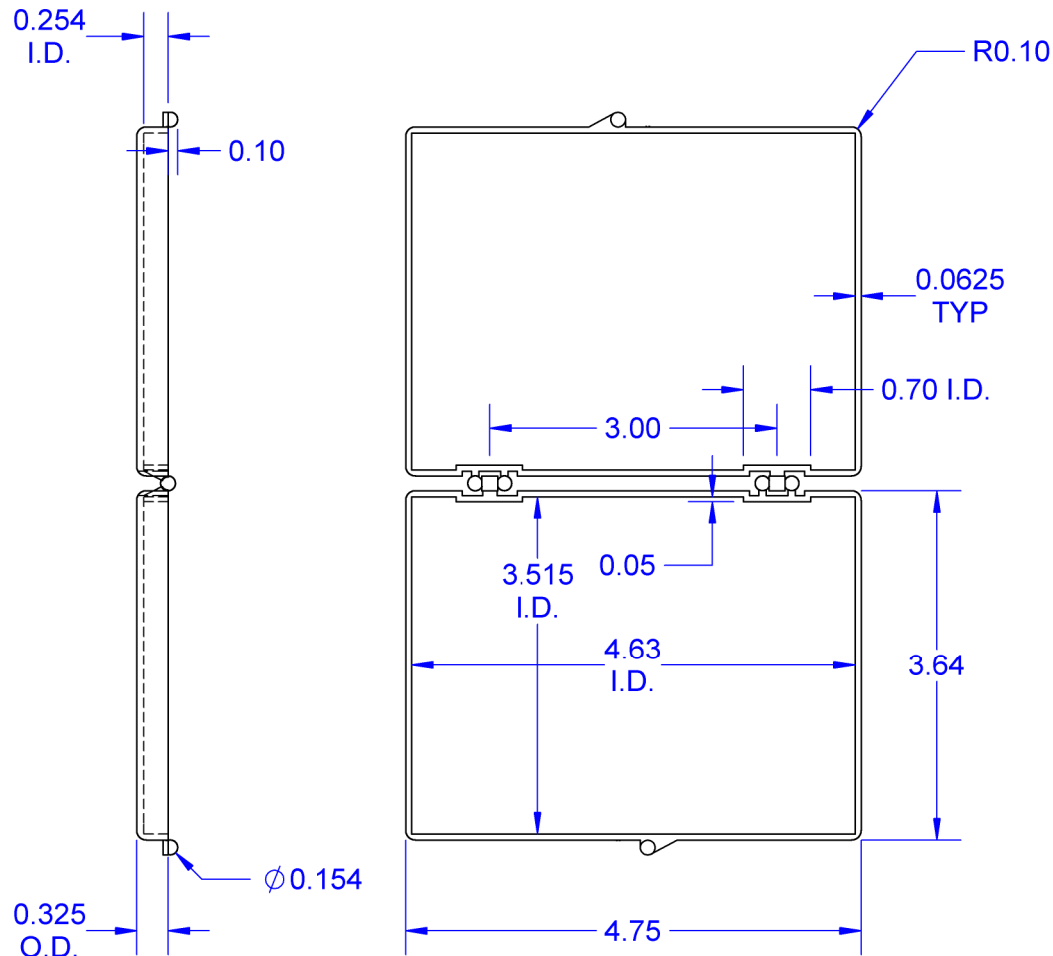


TopLine[®]

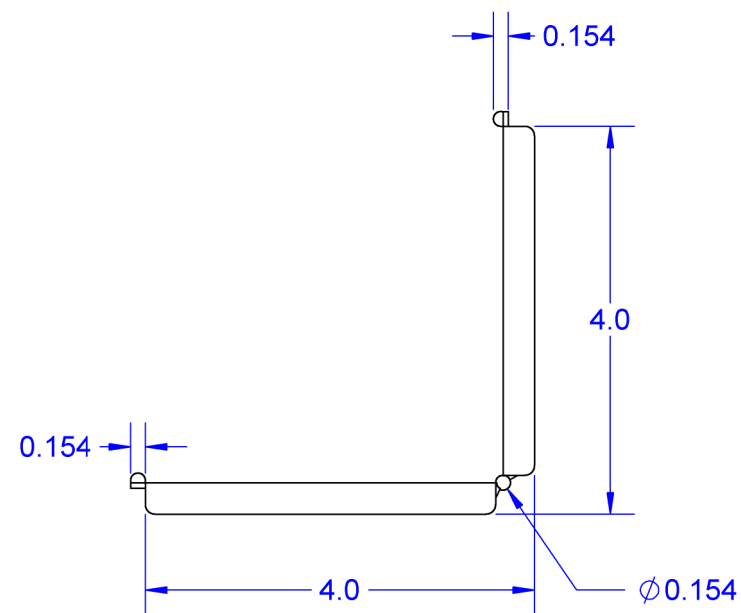
TITLE EC1-SET-LGA-47A BOX SET
47.5mm SQ MAX

SCALE 2:3	SIZE A	DRAWING NO. 920000	REV A
--------------	-----------	-----------------------	----------

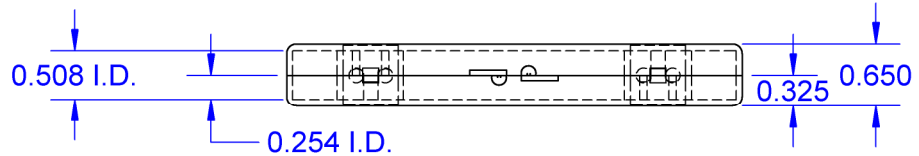
TOP (OPEN)



SIDE VIEW (OPEN)



MODEL

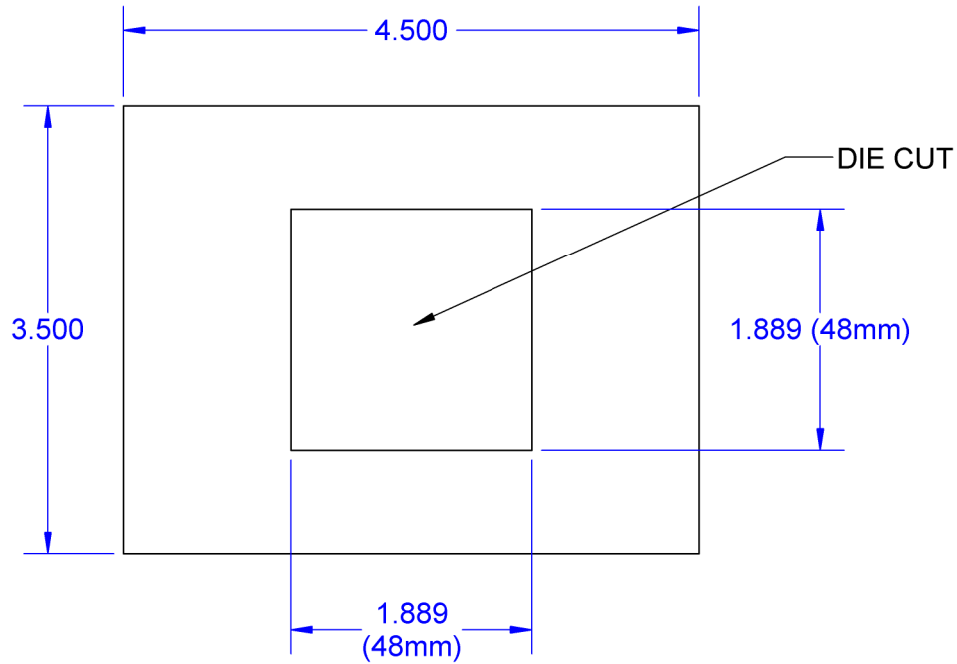


FRONT (CLOSED)

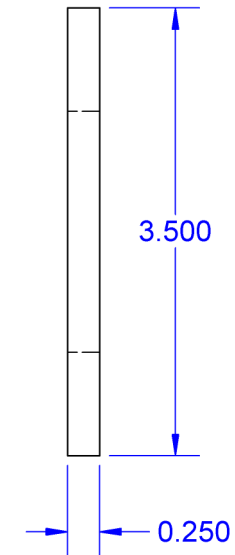
- Notes: (Unless Otherwise Specified).
- 1) SURFACE RESISTIVITY: $10^4 \sim 10^5 \Omega$.
 - 2) MATERIAL: CARBON FILLED POLYPROPYLENE.
 - 3) ESD SAFE.
 - 4) DIMENSIONS INCHES

TopLine®			
TITLE		EC1 (EMPTY BOX) HINGE BOX	
SCALE	SIZE	DRAWING NO.	REV
1:2	A	090000	A
DO NOT SCALE DRAWING			SHEET 3 OF 9

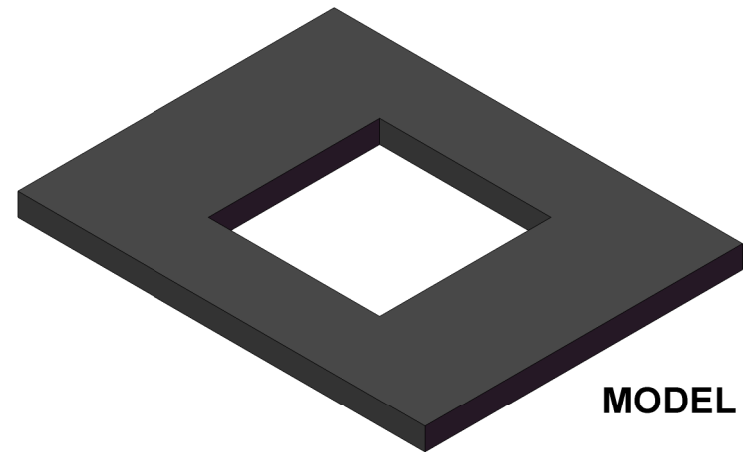
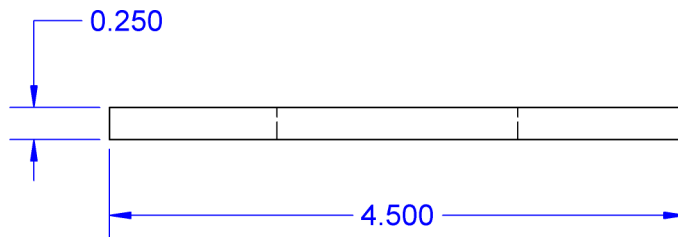
TOP



EDGE



SIDE



Notes: (Unless Otherwise Specified).

- 1) SURFACE RESISTIVITY: $10^5 \sim 10^6$.
- 2) DENSE CONDUCTIVE FOAM.
- 3) DENSITY 2.0 PFC Min.
- 4) ESD SAFE.
- 5) DIMENSIONS INCHES.

TopLine[®]

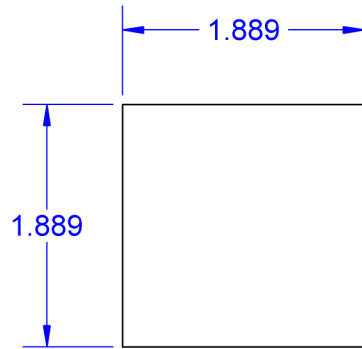
TITLE EC1-FOAM-INSERT-A
HIGH DENSITY FOAM

SCALE 1:1.5	SIZE A	DRAWING NO. 090002	REV A
----------------	-----------	-----------------------	----------

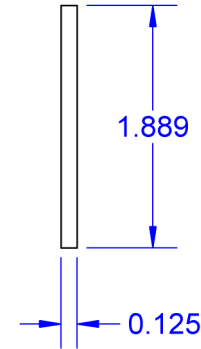
DO NOT SCALE DRAWING

SHEET 4 OF 9

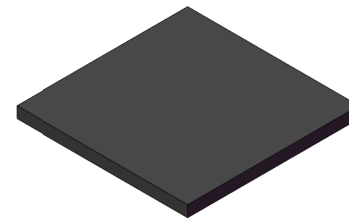
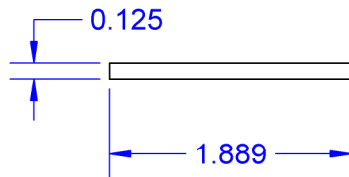
TOP



EDGE



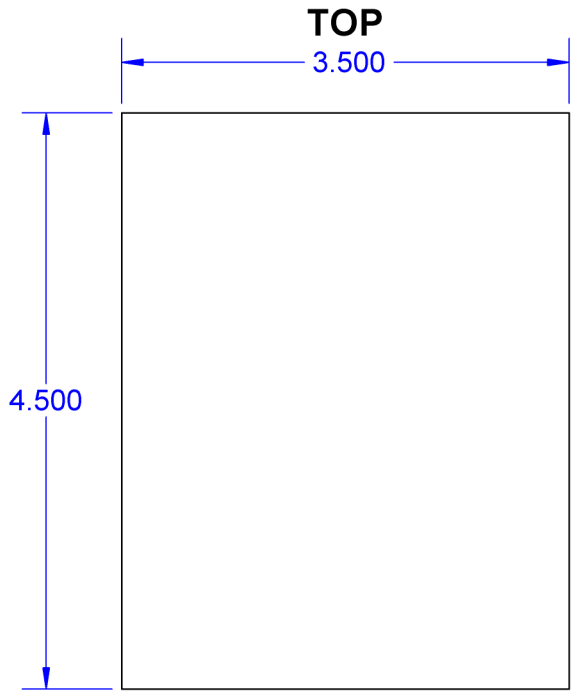
SIDE



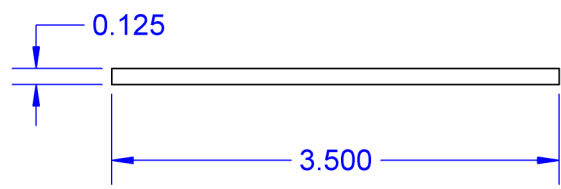
MODEL

- Notes: (Unless Otherwise Specified).
- 1) SURFACE RESISTIVITY: $10^5 \sim 10^6$.
 - 2) SOFT CONDUCTIVE FOAM.
 - 3) DENSITY 1.7 PFC Min.
 - 4) ESD SAFE.
 - 5) DIMENSIONS INCHES

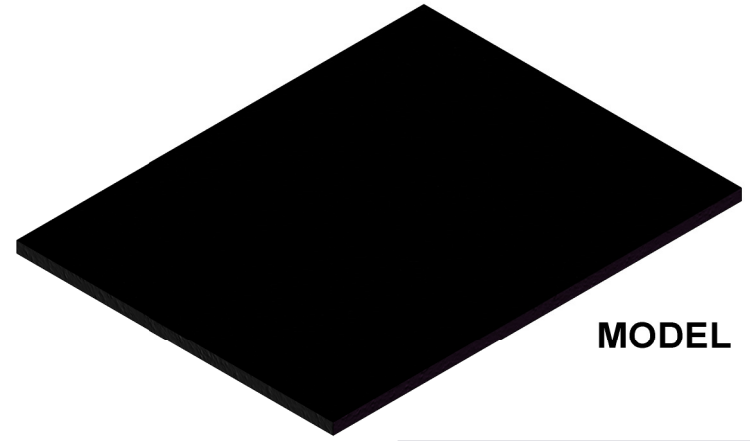
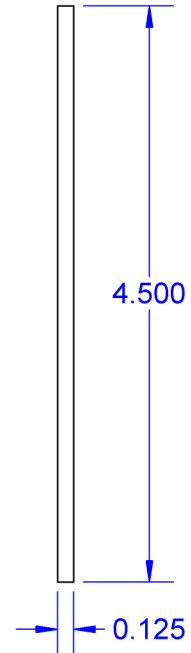
TopLine[®]			
TITLE		LOW DENSITY FOAM FOAM-SOFT-1.889-A	
SCALE	SIZE	DRAWING NO.	REV
1:1.5	A	090014	A
DO NOT SCALE DRAWING			SHEET 5 OF 9



SIDE



EDGE

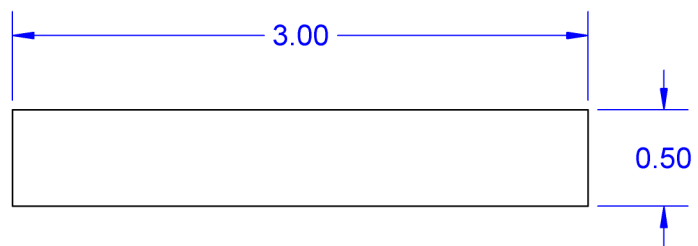


MODEL

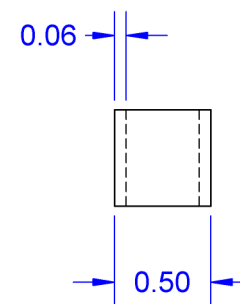
- Notes: (Unless Otherwise Specified).
- 1) SURFACE RESISTIVITY: $10^5 \sim 10^6$.
 - 2) SOFT CONDUCTIVE FOAM.
 - 3) DENSITY 1.7 PFC Min.
 - 4) ESD SAFE.
 - 5) DIMENSIONS INCHES

TopLine[®]			
TITLE		EC1-FOAM-SOFT-.125-A LOW DENSITY FOAM	
SCALE	SIZE	DRAWING NO.	REV
1:1.5	A	090006	A
DO NOT SCALE DRAWING			SHEET 6 OF 9

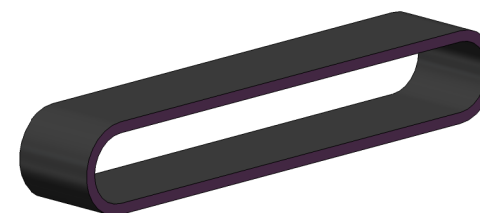
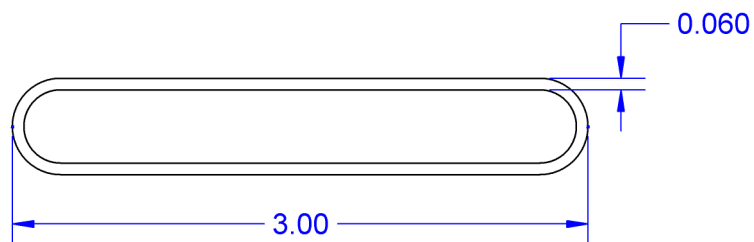
TOP



EDGE



SIDE

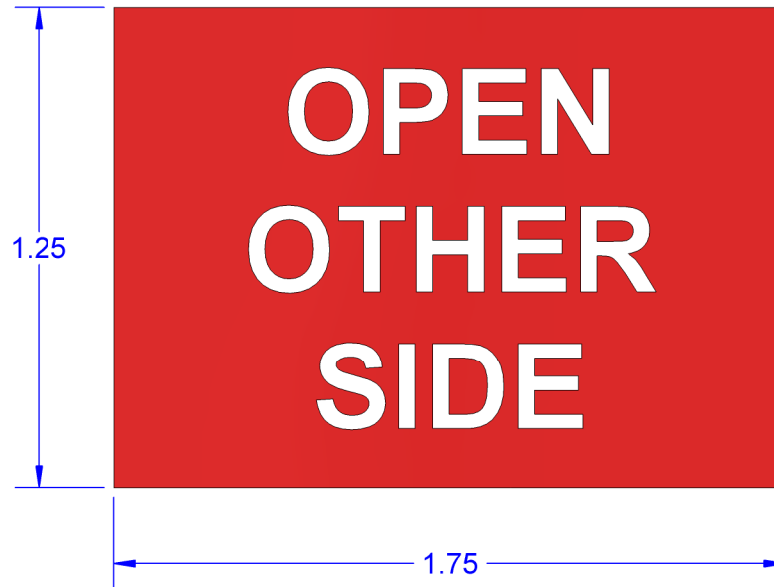


MODEL

Notes: (Unless Otherwise Specified).

- 1) SURFACE RESISTIVITY: $10^5 \sim 10^6$.
- 2) ESD SAFE.
- 3) DIMENSIONS INCHES (RESTING POSITION).

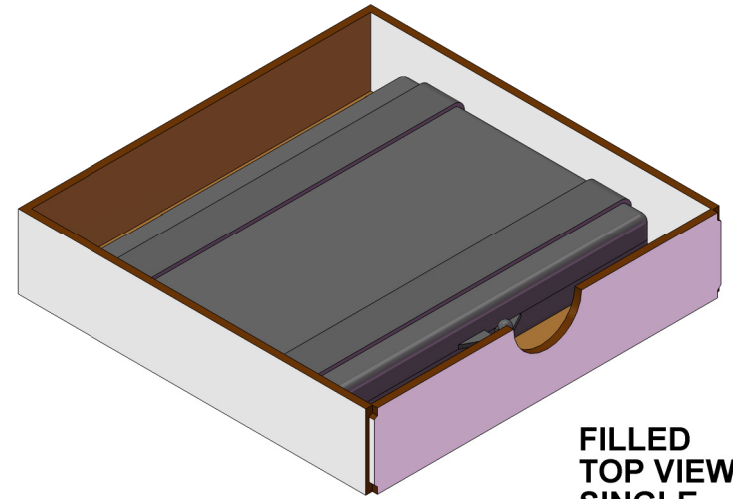
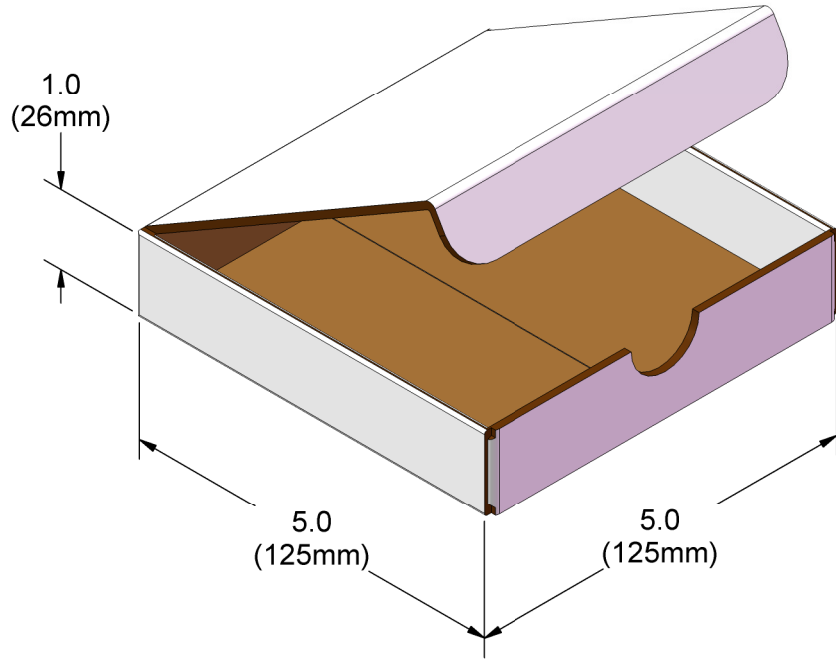
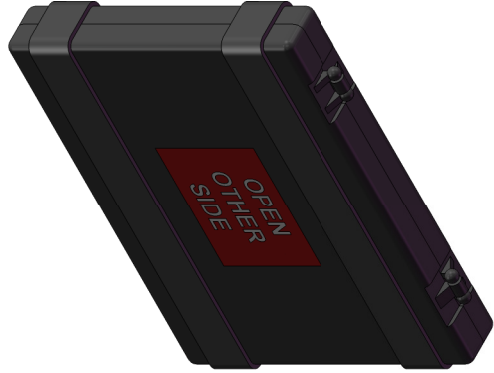
TopLine [®]			
TITLE		RUBBER BAND-3.0-C BLACK CONDUCTIVE	
SCALE	SIZE	DRAWING NO.	REV
1:1	A	090005	A
DO NOT SCALE DRAWING			SHEET 7 OF 9



Notes: (Unless Otherwise Specified).

1. DIMENSIONS INCHES.
2. MATERIAL: PAPER LABEL WITH ADHESIVE.
3. COLOR: RED.
4. PURPOSE: IDENTIFY BOTTOM OF HINGE BOX.

TopLine[®]			
TITLE		LABEL FOR BOTTOM OF HINGE BOX	
SCALE	SIZE	DRAWING NO.	REV
2:1	A	090009	A
DO NOT SCALE DRAWING			SHEET 8 OF 9



FILLED
TOP VIEW
SINGLE

- NOTES: (Unless Otherwise Specified).
 1) DIMENSIONS INCHES.
 2) MEASUREMENT I.D. INSIDE BOX.
 3) BOX SIZE SUBJECT TO CHANGE.

TopLine®			
TITLE		CARDBOARD BOX	
SCALE	SIZE	DRAWING NO.	REV
1:2	A	900001	A
DO NOT SCALE DRAWING			SHEET 9 OF 9